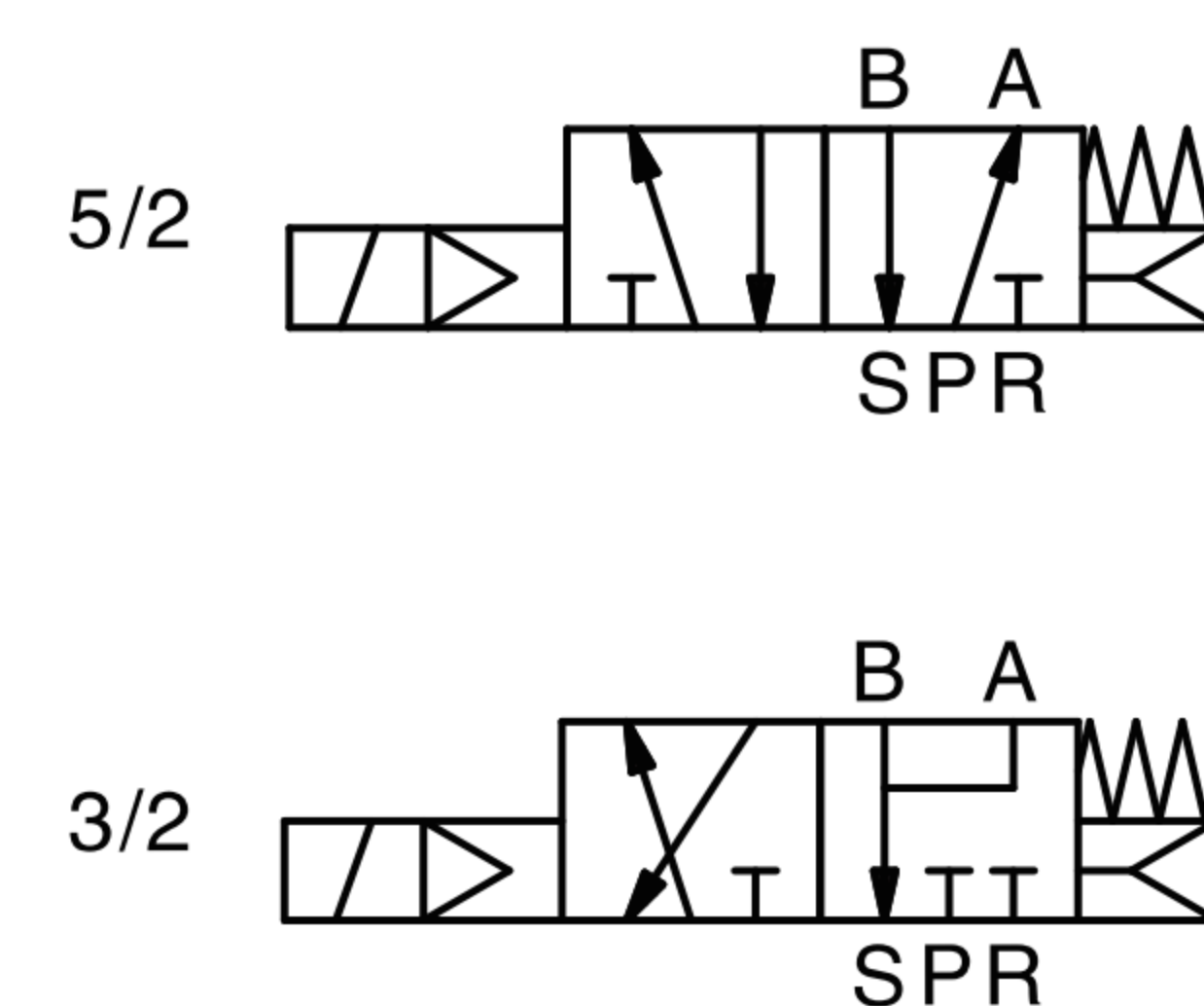


# Universal Convertible 3/2 and 5/2 NAMUR Solenoid Valve



## Universal Convertible

NAMUR Solenoid Valve □ 3/2,5/2 □



### How to Order?

| Series No. | Ways                                 | Valve Body Size | Controls          | Port Size | Valve Type    | Exhaust Type                         | ID Code                                | Voltage  | Connection Mode   | Cover Color                             | Valve Color  | Thread Type                 |
|------------|--------------------------------------|-----------------|-------------------|-----------|---------------|--------------------------------------|--|--|---|---|--|-----------------------------|
| V          | Universal convertible<br>3/2 and 5/2 | 3:3 series      | 1: Single control | 08: 1/4"  | M: NAMUR type | R: Outer exhaust<br>G: Inner exhaust | Blank: Standard type<br>A: Amisco coil | E1: AC110V<br>E2: AC220V<br>E3: AC380V<br>E4: DC24V<br>E5: DC12V | E6: AC36V<br>E7: AC24V<br>E8: DC110V<br>E9: DC48V<br>E10: DC36V | Blank: DIN connector<br>F: Flying leads | Blank: Black<br>Blank: Brown translucent<br>J: Colorless and translucent | Blank: G<br>P: PT<br>T: NPT |

### Order Example:

Universal convertible 3/2 and 5/2 NAMUR solenoid valve, 3 series valve body, single control, port size 1/4", inner exhaust type, standard coil, AC220V, flying leads coil, black color valve, G thread, ERP code is: V523231-08MGE2F

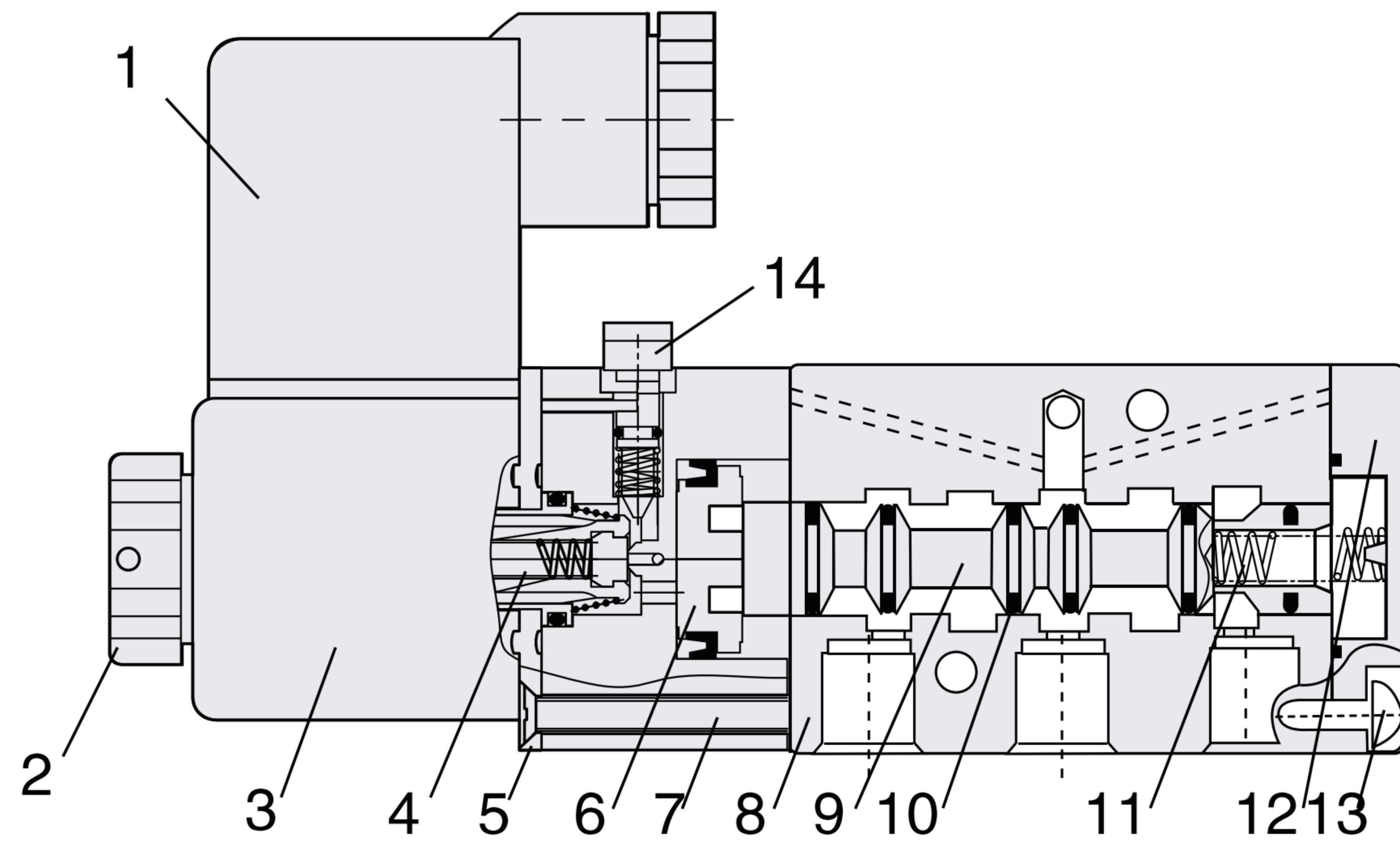
### Specifications

| Model No.                        | V523231-08MR  | V523231-08MG |
|----------------------------------|---|--------------|
| Port size                        | 1/4 ①   |              |
| Sectional area(mm <sup>2</sup> ) | 25(CV=1.40)   |              |
| Working medium                   | Clean air(After 40 μ m filtration)                                      |              |
| Acting type                      | Pilot type  |              |
| Flow rate                        | At 5/2 way: 1830L/min; At 3/2 way: 1090L/min                            |              |
| Lubrication                      | Not required  |              |
| Working pressure(psi)            | 21.8~116  |              |
| Guaranteed pressure(psi)         | 174   |              |
| Working temperature              | -5~60°C ( 23~140°F)(No freezing)  |              |
| Voltage range                    | -15%~10%  |              |
| Power consumption                | DC:3.0W ; AC:4.0VA  |              |
| Insulation class                 | Class F   |              |
| Protective class                 | IP65(DIN40050)  |              |
| Max. acting frequency            | 5 Cycles/s  |              |
| Activate time(s)                 | <0.05   |              |
| Accessories                      | 1pc D20X16 O - Ring, 1pc position seal plate, 2pcs M5X30 mounting bolts |              |
| Weight(g)                        | 340   | 460          |

① G、PT、 NPT thread type is optional.

## Internal Structure

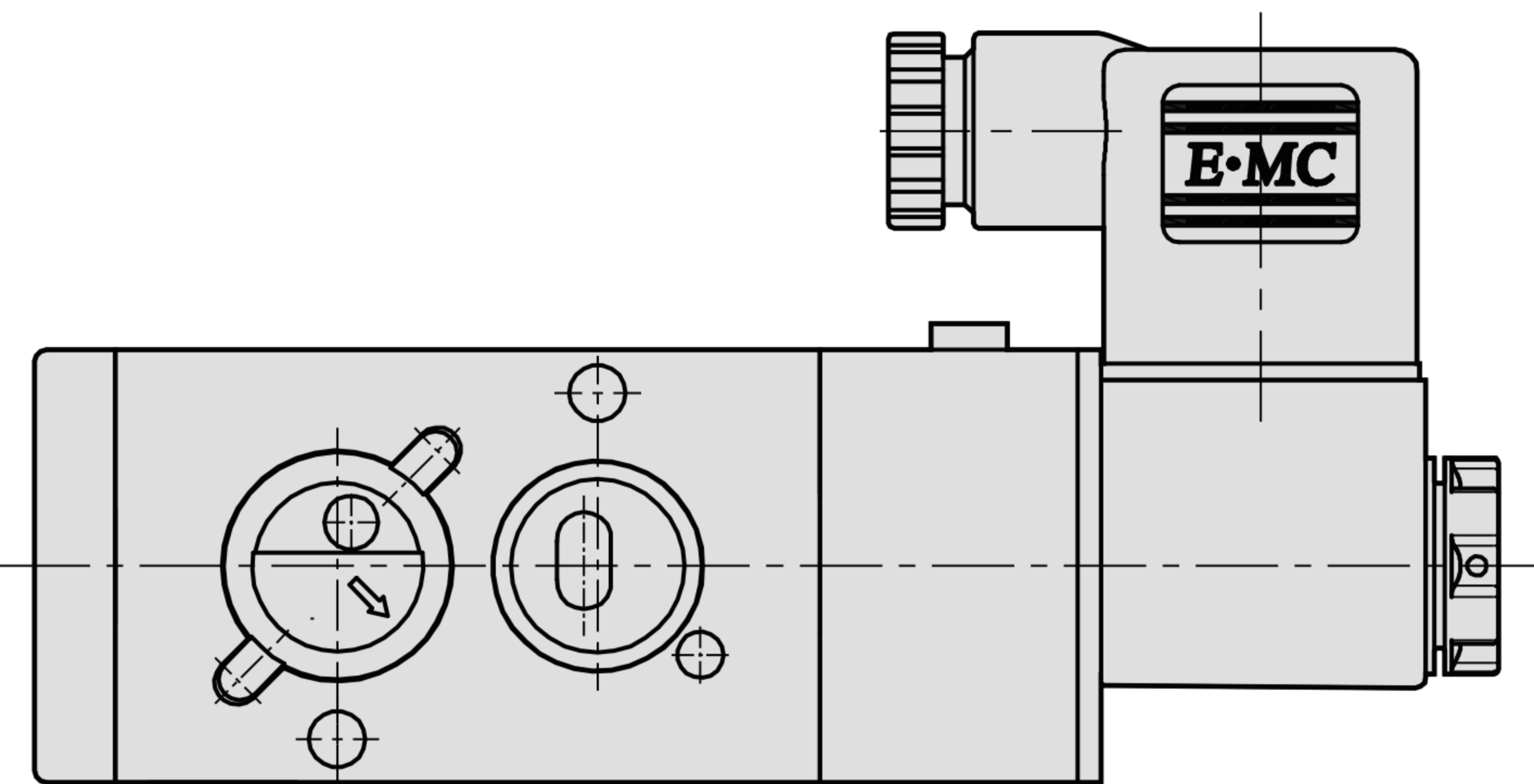
### Single Solenoid Valve



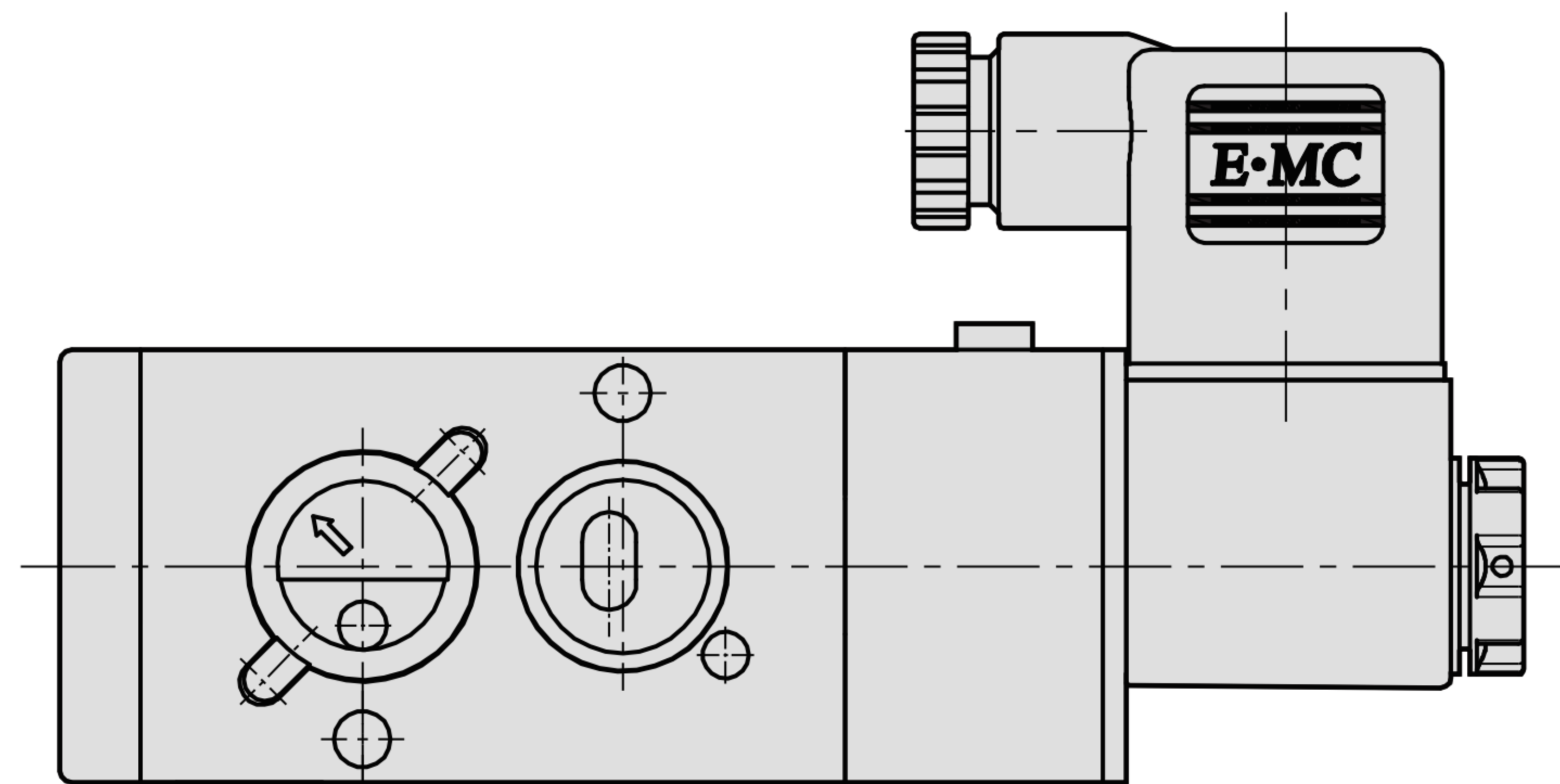
| NO. | Part Name       | Material            |
|-----|-----------------|---------------------|
| 1   | Connector       | Engineered plastics |
| 2   | Nut             | POM+Carbon steel    |
| 3   | Coil            | Cu                  |
| 4   | Pilot units     |                     |
| 5   | Plate           | Carbon steel        |
| 6   | Piston          | POM                 |
| 7   | Screw           | Carbon steel        |
| 8   | Valve body      | Aluminum alloy      |
| 9   | Spool           | Aluminum alloy      |
| 10  | O-ring          | HNBR                |
| 11  | Spring          | Stainless steel     |
| 12  | Rear cover      | Zinc alloy          |
| 13  | Screw           | Carbon steel        |
| 14  | Manual override | Engineered plastics |

## How to Mount?

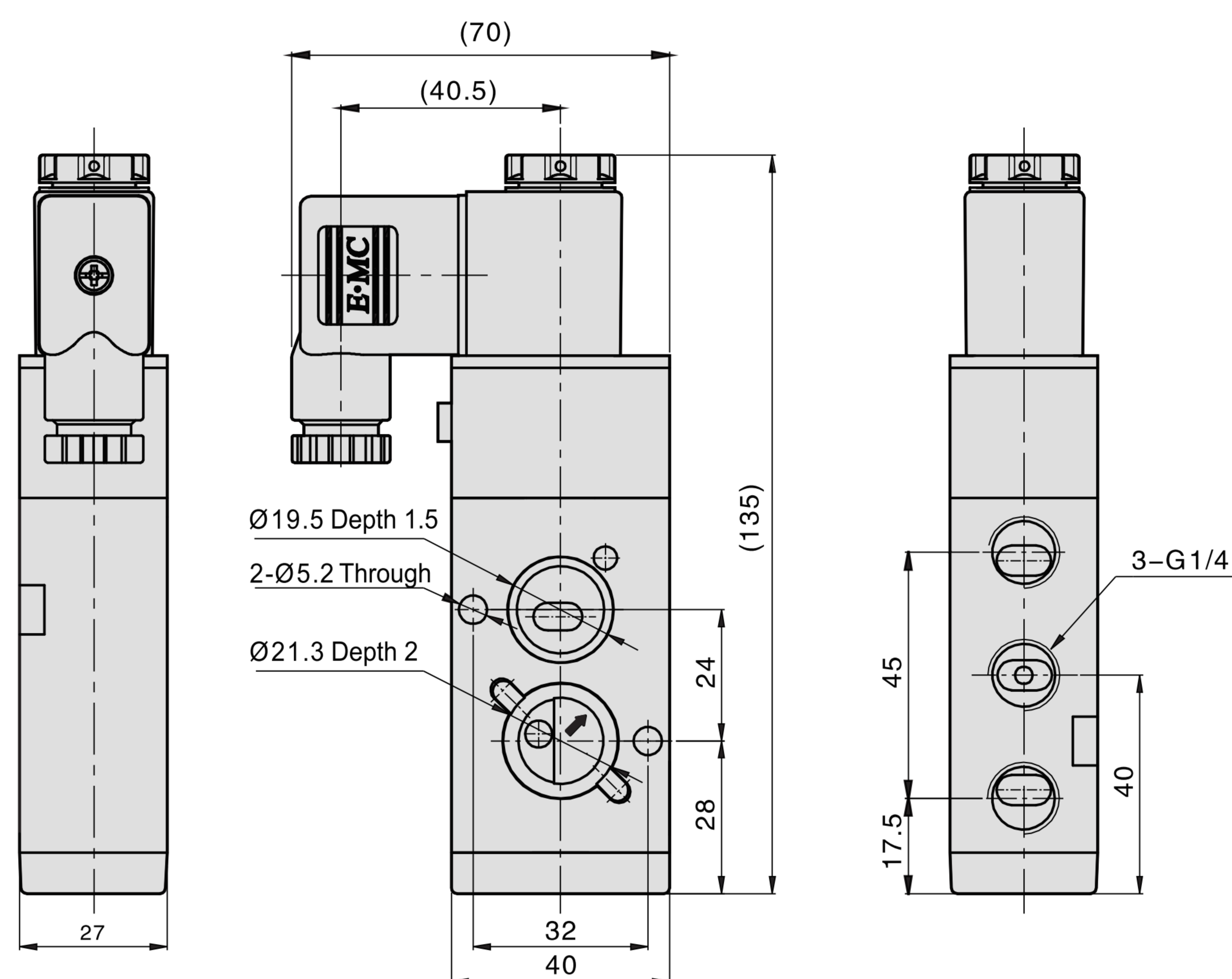
### 2/5 way



### 2/3 way



## Main Dimension



Note: The boundary dimensions of MG series and MR series are same.