

## KE12



### Features

- The external damping spring has very good compensation for different heights when conveying workpieces.
- Large range of connection threads and lifting heights enables use for a wide variety of applications and suction pads.
- Spring damping and soft contact with sensitive workpieces.
- Abrasion resistant guide rod, longer life.

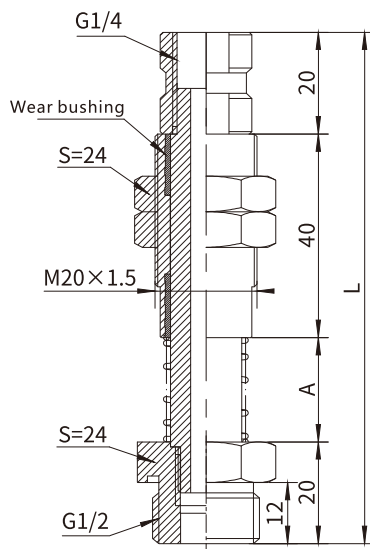
### Specifications

## KE 12 10 - A20

① ② ③ ④

①Series	②Suction Cup Connection	③Lifting Heights	④Guide Bush Male Thread
KE-External damping spring	12-G1/2	10-10mm stroke 20-20mm stroke 25-25mm stroke 30-30mm stroke 50-50mm stroke 75-75mm stroke	A20-M20X1.5 A30-M20X2

### Main Dimension



KE12 10-A20  
①

①Lifting Heights	A	L
10	20.5	100.5
20	35.5	115.5
30	50.5	130.5
50	70.5	150.5