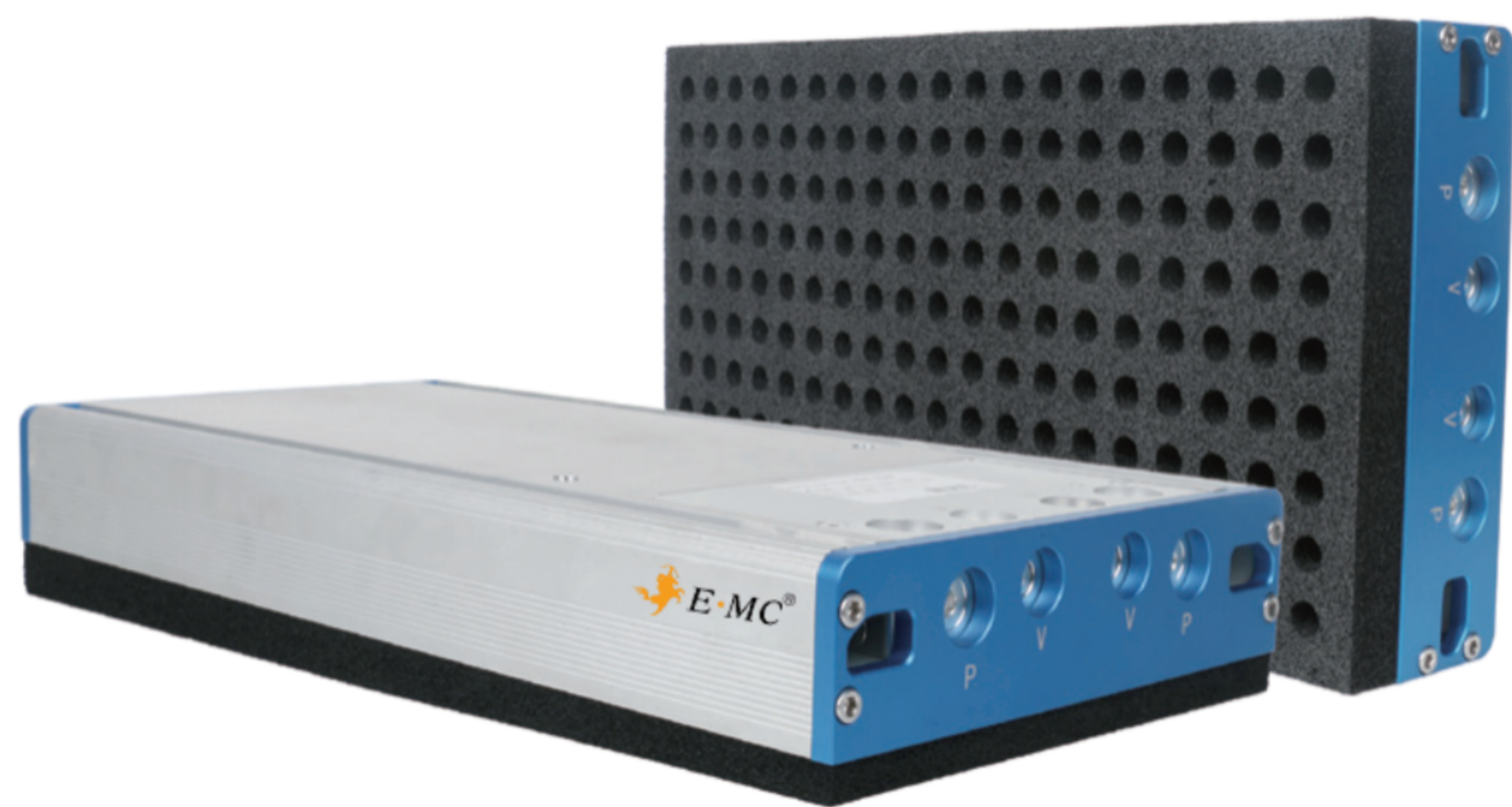


EGP200-F-A Sponge Gripper(Built-In Vacuum Source)



EGP200-F-A

Sponge Gripper(Built-In Vacuum Source)



Product Features

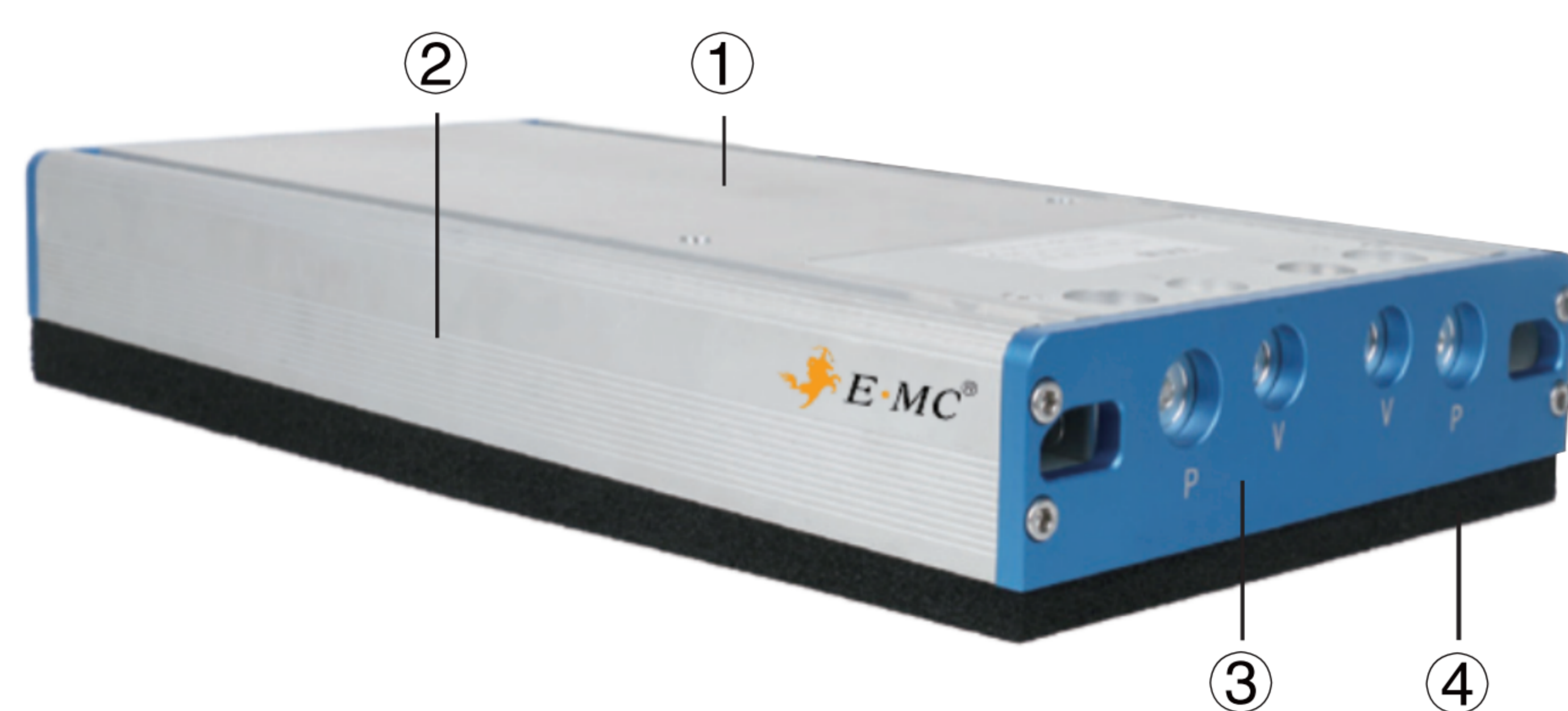
- Suitable for different industry products grabbing, meet various specifications.
- Flexible selection of standard or customized gripper, suction of different sizes can be freely combined and used.
- Optional self-closing valve technology can solve workpieces with large vacuum leakage, uneven surface, different sizes and geometric shapes.
- The vacuum source uses a built-in plug-in vacuum generator, lower air consumption, greater vacuum flow, and shorter vacuum build-up time.
- Integrated plug-in vacuum generating device, which can be individually configured and quickly disassembled according to changing working conditions.
- Modular design for easy maintenance.
- The interface is reserved, and functional components can be directly added to the gripper, the process has been optimized, environmental protection and energy saving.
- The material is aluminum alloy, factory plastic and carbon fiber composite material, which has the characteristics of high strength and light weight.
- Easy to install, with T-type removable mounting slider, available for fixing grippers as well as for mounting or mounting sensors.
- Rubber gasket accessory for quick replacement.

How to Order?

Series No.	Gripper Width	Gripper Length	Valve Technology	Suction-hole Type	Gasket Thickness Type	Vacuum Source
EGP: Vacuum gripper	200:200mm	300:300mm	V:Self-closing valve L:Flow valve S:High-speed valve	P20 P30	10:10	A:Built-in vacuum generator
		400:400mm			15:15	
		500:500mm			20:20	
		600:600mm			30:30	
		700:700mm			10F10:With filter function	
		1200:1200mm			15F15:With filter function M:Traceless type	

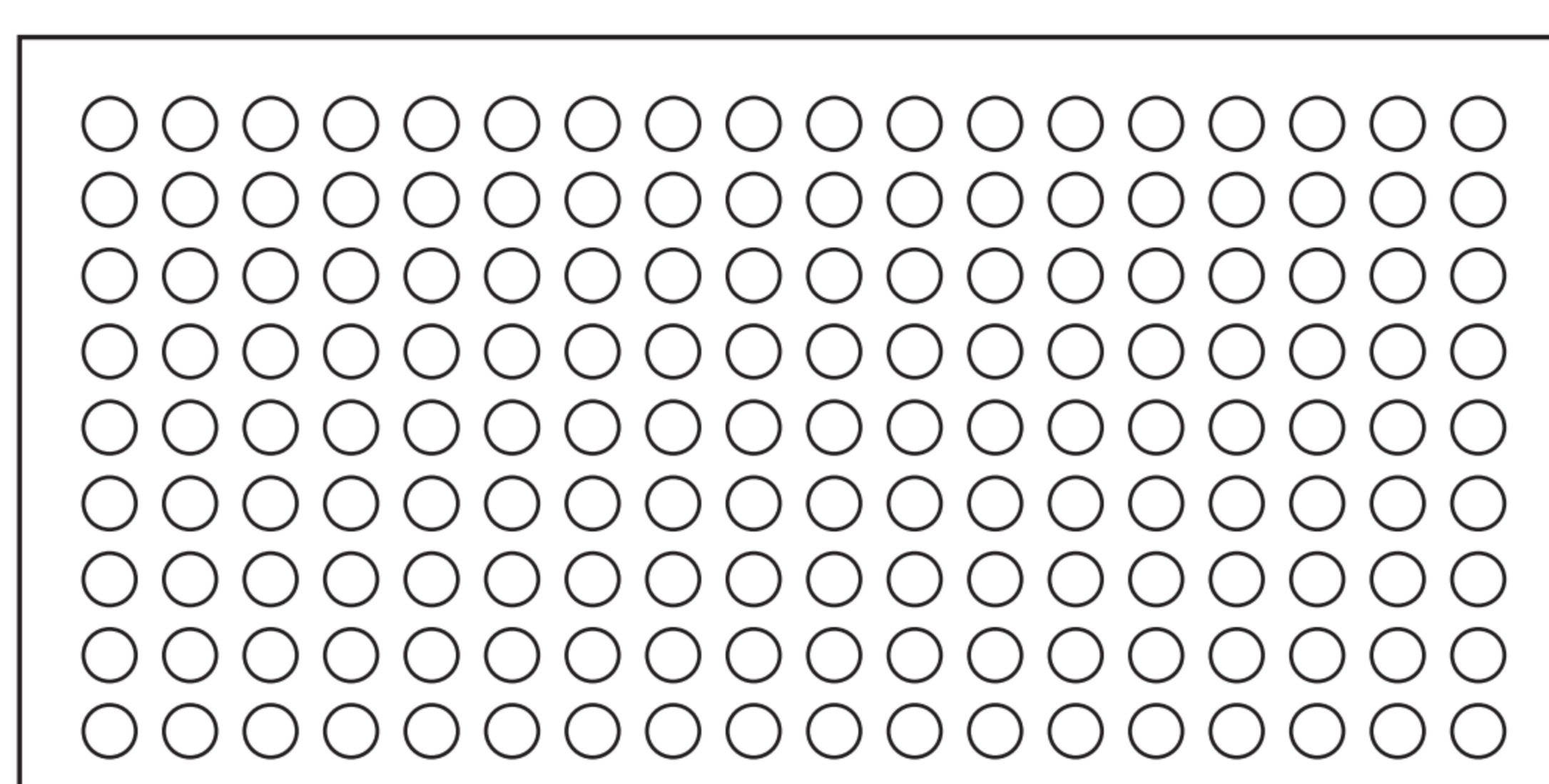
Order Example: EGP series vacuum gripper, gripper width 200mm, gripper length 100mm, self-closing valve, suction-hole type P20, gasket thickness 20mm, built-in vacuum source accessory. EPR code is: EGP200-1000V-P2020-A

Product Structure

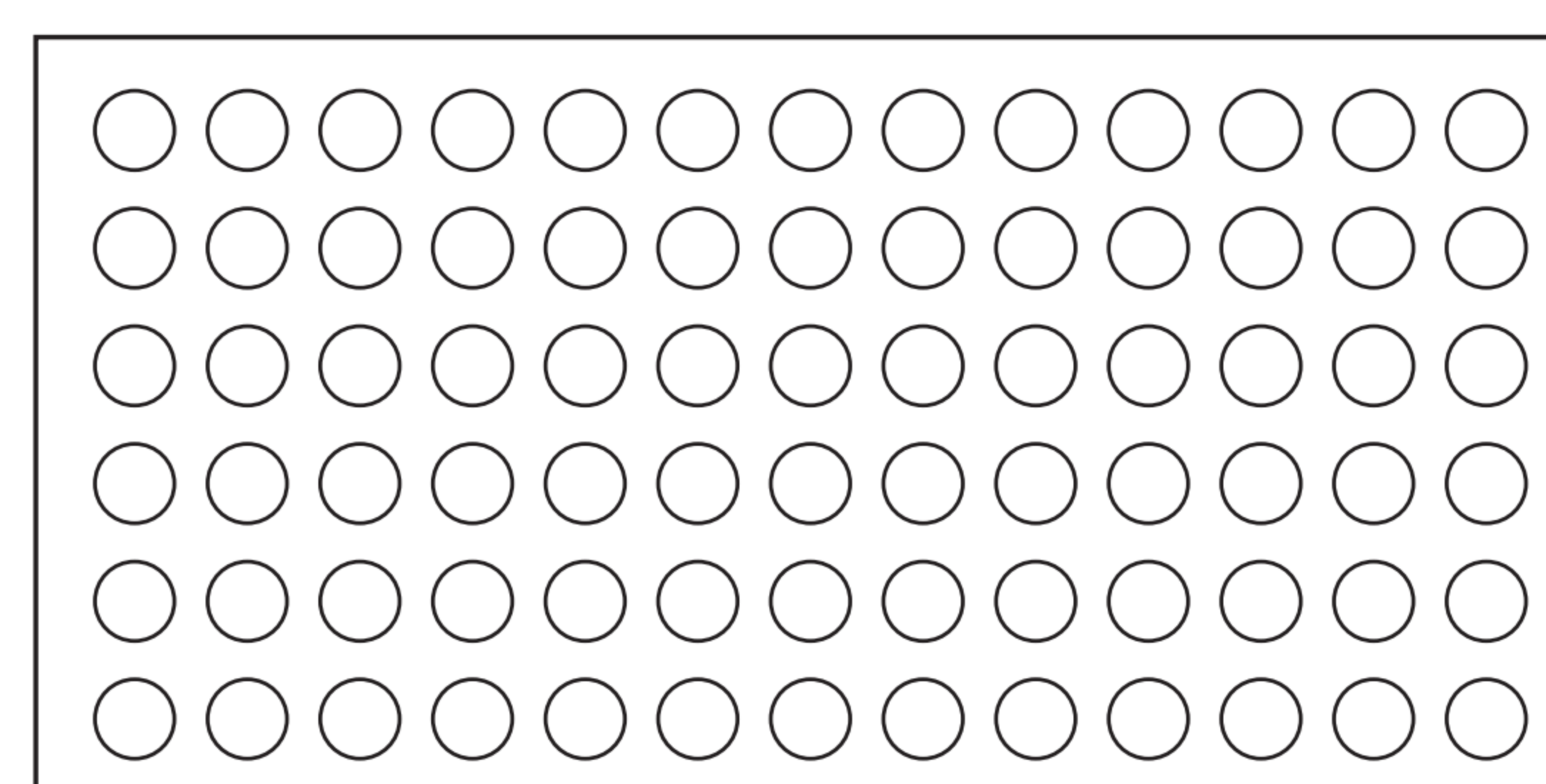


- ① Gripper body: material is reinforced aluminum alloy
- ② Built-in valve technology is optional: Self-closing valve; Flow valve; High-speed valve
- ③ Built-in vacuum generator: low consumption and energy efficient multi-stage injection technology
- ④ Suction-hole Type is optional: universal type, customised type

Suction-hole Type



EGP200 standardised suction-hole type
Type: P20
Universal type



EGP200 standardised suction-hole type
Type: P30
Universal type

EGP200-F-A

EGP200-F-A Sponge Gripper(Built-In Vacuum Source)

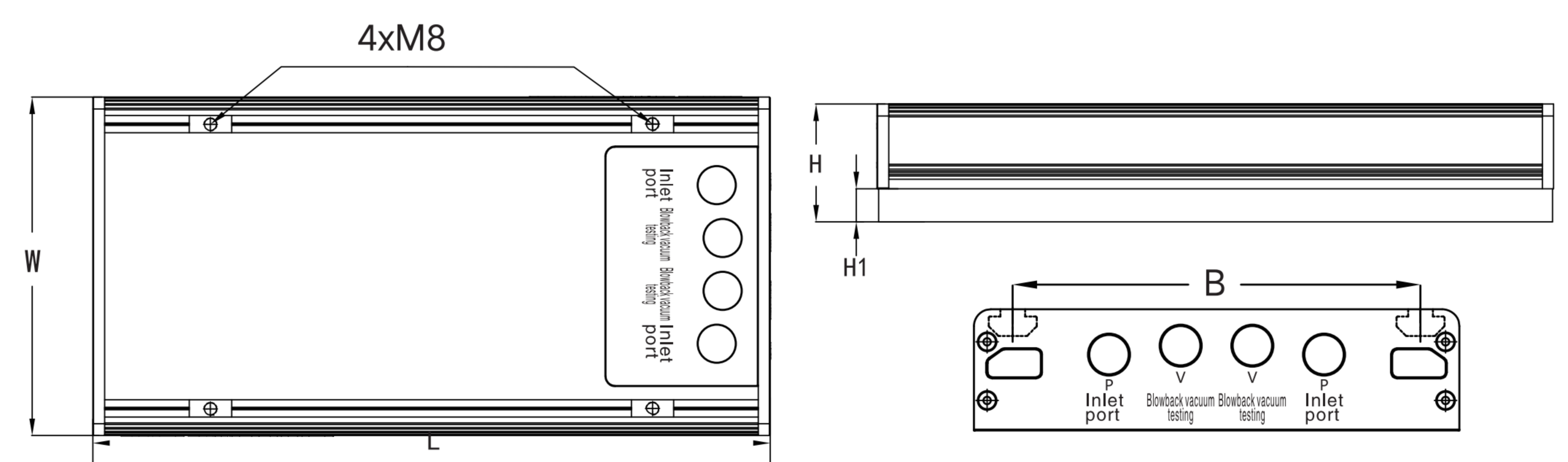
Performance Parameter

Model	Suction-hole Type	Supply Gas Pressure (MPa)	Hole number	Gas Consumption (L/min)	Vacuum Degree (kPa)	Vacuum Flow (L/min)	Suction Force N(-65kPa)	Weight (kg)
EGP200-300V-P20□-A	P20	0.4~0.6	171	300	-65	1050	966	3.2
EGP200-400V-P20□-A	P20	0.4~0.6	216	300	-65	1050	1221	3.8
EGP200-500V-P20□-A	P20	0.4~0.6	261	400	-65	1400	1475	4.4
EGP200-600V-P20□-A	P20	0.4~0.6	306	400	-65	1400	1730	5
EGP200-700V-P20□-A	P20	0.4~0.6	351	400	-65	1400	1984	5.6
EGP200-800V-P20□-A	P20	0.4~0.6	396	500	-65	1750	2238	6.2
EGP200-900V-P20□-A	P20	0.4~0.6	441	500	-65	1750	2493	6.8
EGP200-1000V-P20□-A	P20	0.4~0.6	486	600	-65	2100	2747	7.4
EGP200-1100V-P20□-A	P20	0.4~0.6	531	600	-65	2100	3001	8
EGP200-1200V-P20□-A	P20	0.4~0.6	576	600	-65	2100	3256	8.6
EGP200-260V-P30□-A	P30	0.4~0.6	78	200	-65	700	784	3
EGP200-410V-P30□-A	P30	0.4~0.6	108	200	-65	700	1085	3.9
EGP200-560V-P30□-A	P30	0.4~0.6	138	300	-65	1050	1387	4.8
kEGP200-710V-P30□-A	P30	0.4~0.6	168	300	-65	1050	1688	5.6
EGP200-860V-P30□-A	P30	0.4~0.6	198	400	-65	1400	1990	6.5
EGP200-1010V-P30□-A	P30	0.4~0.6	228	400	-65	1400	2291	7.4
EGP200-1160V-P30□-A	P30	0.4~0.6	258	400	-65	1400	2592	8.3

Main Dimension

Dimension[mm]

Model	B	L	W	H	H1		
EGP200-300V-P20□-A	168	300	200	70	10	20	30
EGP200-400V-P20□-A	168	400	200	70	10	20	30
EGP200-500V-P20□-A	168	500	200	70	10	20	30
EGP200-600V-P20□-A	168	600	200	70	10	20	30
EGP200-700V-P20□-A	168	700	200	70	10	20	30
EGP200-800V-P20□-A	168	800	200	70	10	20	30
EGP200-900V-P20□-A	168	900	200	70	10	20	30
EGP200-1000V-P20□-A	168	1000	200	70	10	20	30
EGP200-1100V-P20□-A	168	1100	200	70	10	20	30
EGP200-1200V-P20□-A	168	1200	200	70	10	20	30



Dimension[mm]

Model	B	L	W	H	H1		
EGP200-260V-P30□-A	168	260	200	70	10	20	30
EGP200-410V-P30□-A	168	410	200	70	10	20	30
EGP200-560V-P30□-A	168	560	200	70	10	20	30
EGP200-710V-P30□-A	168	710	200	70	10	20	30
EGP200-860V-P30□-A	168	860	200	70	10	20	30
EGP200-1010V-P30□-A	168	1010	200	70	10	20	30
EGP200-1160V-P30□-A	168	1160	200	70	10	20	30

