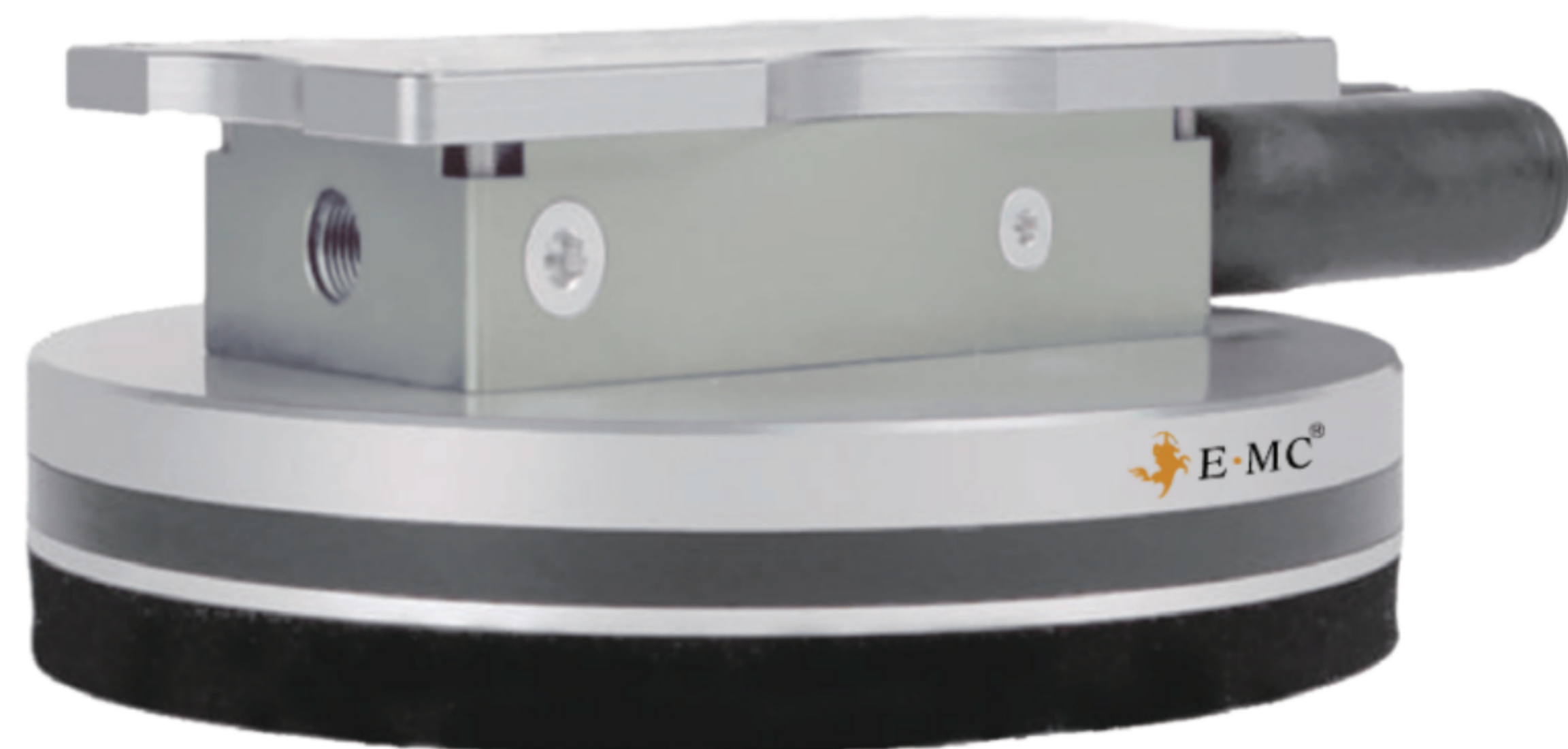


## EGR

### Vacuum Gripper



#### Product Features

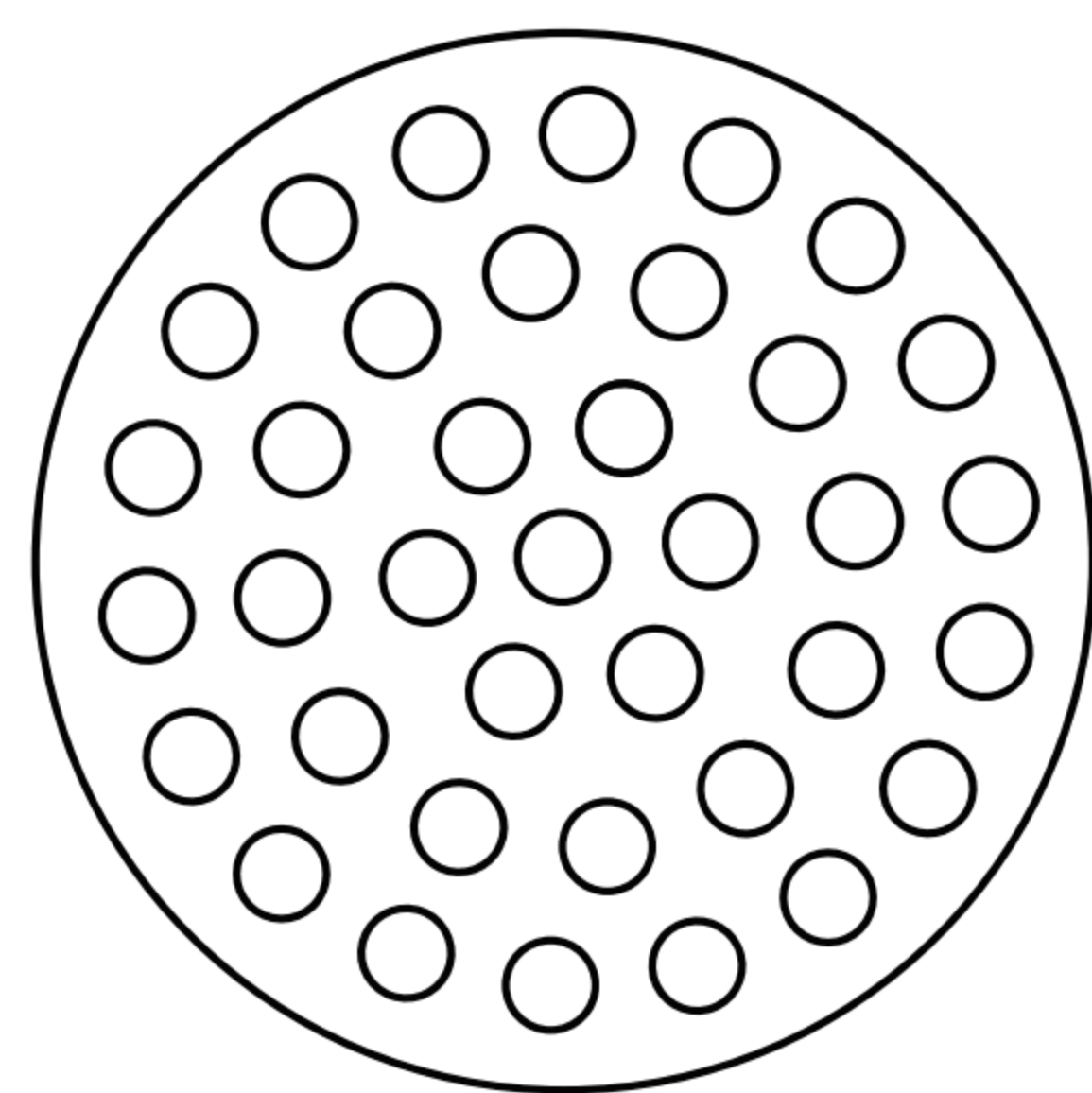
- Suitable for different industry products grabbing, meet various specifications.
- Flexible selection of standard grippers or design of customized grippers according to actual application conditions.
- Vacuum source can be a built-in vacuum generator or an external vacuum source through the vacuum connection port.
- Gripper body is made of materials: high-strength steel, aluminum alloy, engineering plastics, and carbon fiber composite materials. Sponge gasket accessory for quick replacement.

#### How to Order?

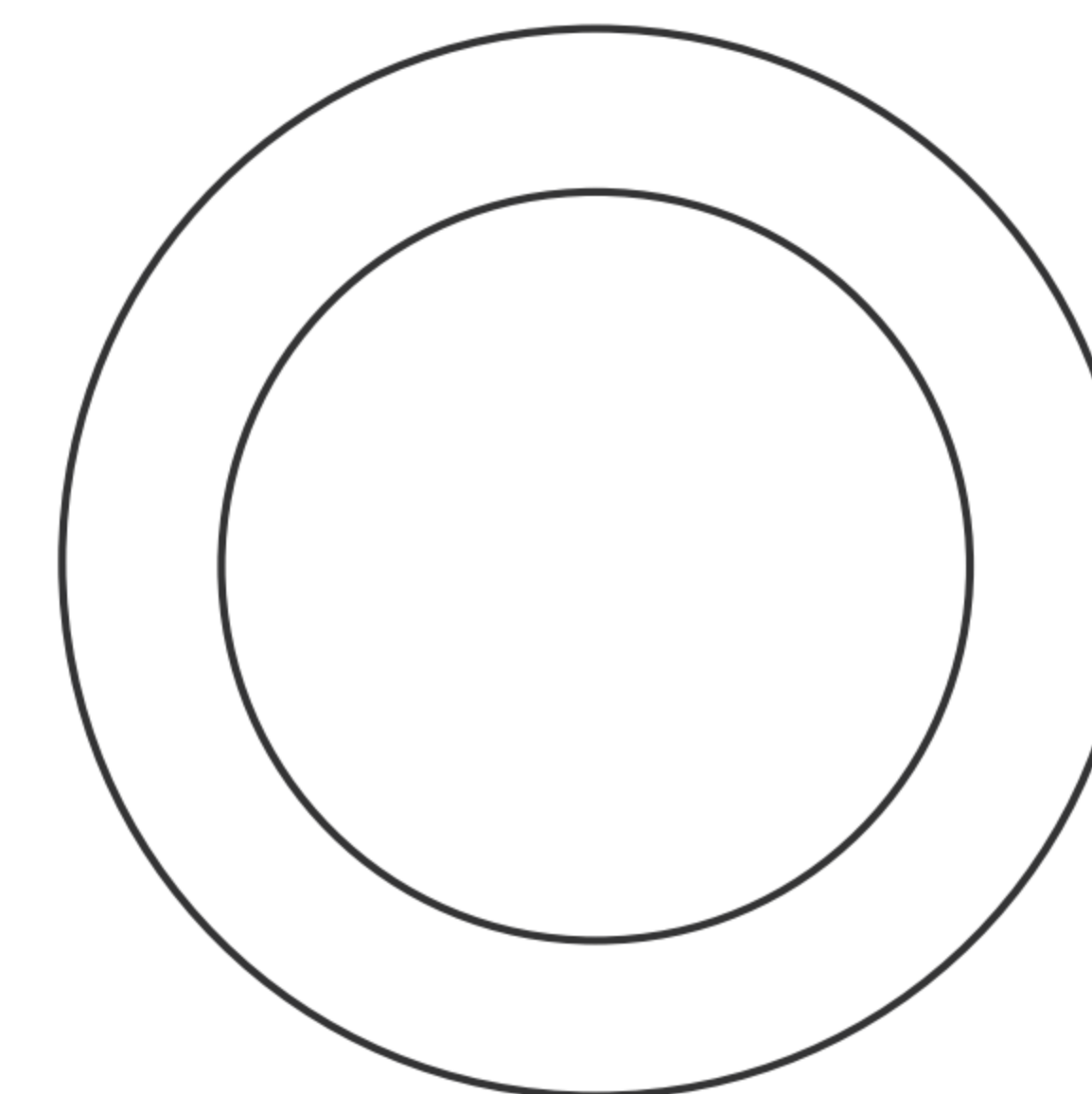
Series No.	Suction-hole Type	Gripper Diameter	Valve Technology	Gasket Thickness Type	Vacuum Source
EG: Vacuum gripper	R:Standardized type B:Customized type	100:100mm 150:150mm 180:180mm 200:200mm	V:Self-closing valve L:Flow valve S:High-speed valve	10:10mm 15:15mm 20:20mm 30:30mm 10F10:With filter function 15F15:With filter function M:Traceless type	A: Built-in vacuum generator E: Connection interface for external vacuum generator

**Order Example** EG series vacuum gripper, standard suction-hole, gripper diameter 100mm, self-closing valve, gasket thickness 15mm, connection port for external vacuum generating device. EPR code is:EGR100V15E

#### Suction-hole Type



EGR standardized suction-hole type  
Type:R  
Standardized type



EGR standardized suction-hole type  
Type:B  
Customized type

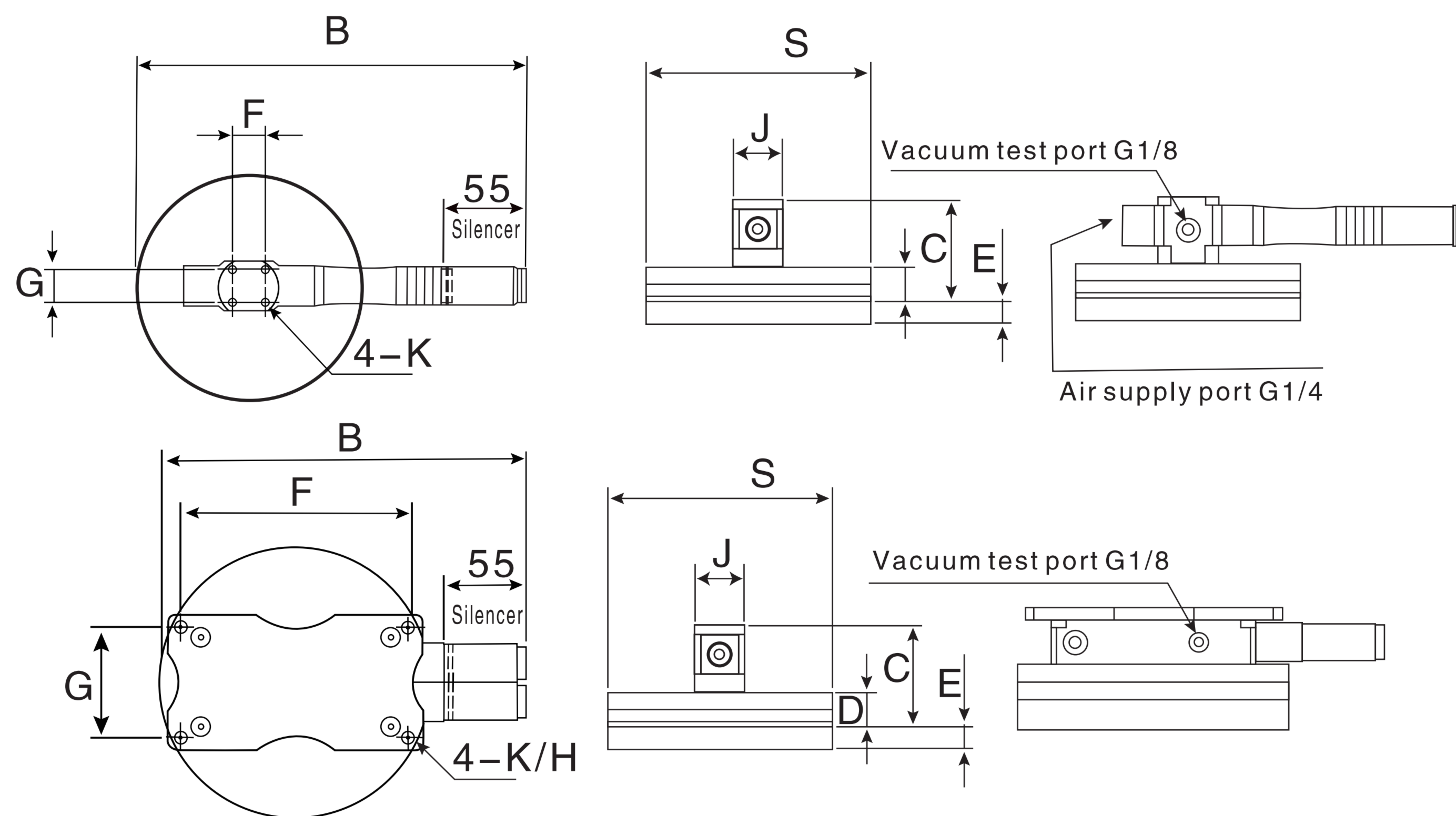
#### Performance Parameter

Model	Suction-hole Type	Supply Gas Pressure(Bar)	Required Pumping Volume ( L/min )	Vacuum Degree (kPa)	Vacuum Flow (L/min)	Suction Force N(-60kPa)	Weight (kg)
EGR100	R	4~5	100	60	350	129	0.6
EGR150	R	4~5	100	60	350	251	0.9
EGR180	R	4~5	200	60	700	414	1.7
EGR200	R	4~5	200	60	700	414	1.9
EGR100	R	4~5	100	40	350	113	0.6
EGR150	R	4~5	100	40	350	314	0.9
EGR180	R	4~5	200	40	700	531	1.6
EGR200	R	4~5	200	40	700	707	1.8

# EGR Series Vacuum Gripper



## ◎ Main Dimension



Dimension: [mm]

Model	S	B	C	E		F	G	H	J	K	
EGR100	100	235	67.5	10	15	20	22	22	-	33	M6
EGR150	150	260	67.5	10	15	20	22	22	-	33	M6
EGR180	180	244	61	10	15	20	154	74	8	90	M8
EGR200	200	254	61	10	15	20	154	74	8	90	M8
EGR100	100	235	74.5	15	20	25	22	22	-	33	M6
EGR150	150	260	74.5	15	20	25	22	22	-	33	M6
EGR180	180	244	68	15	20	25	154	74	8	90	M8
EGR200	254	254	68	15	20	25	154	74	8	90	M8