

## KI18



### Features

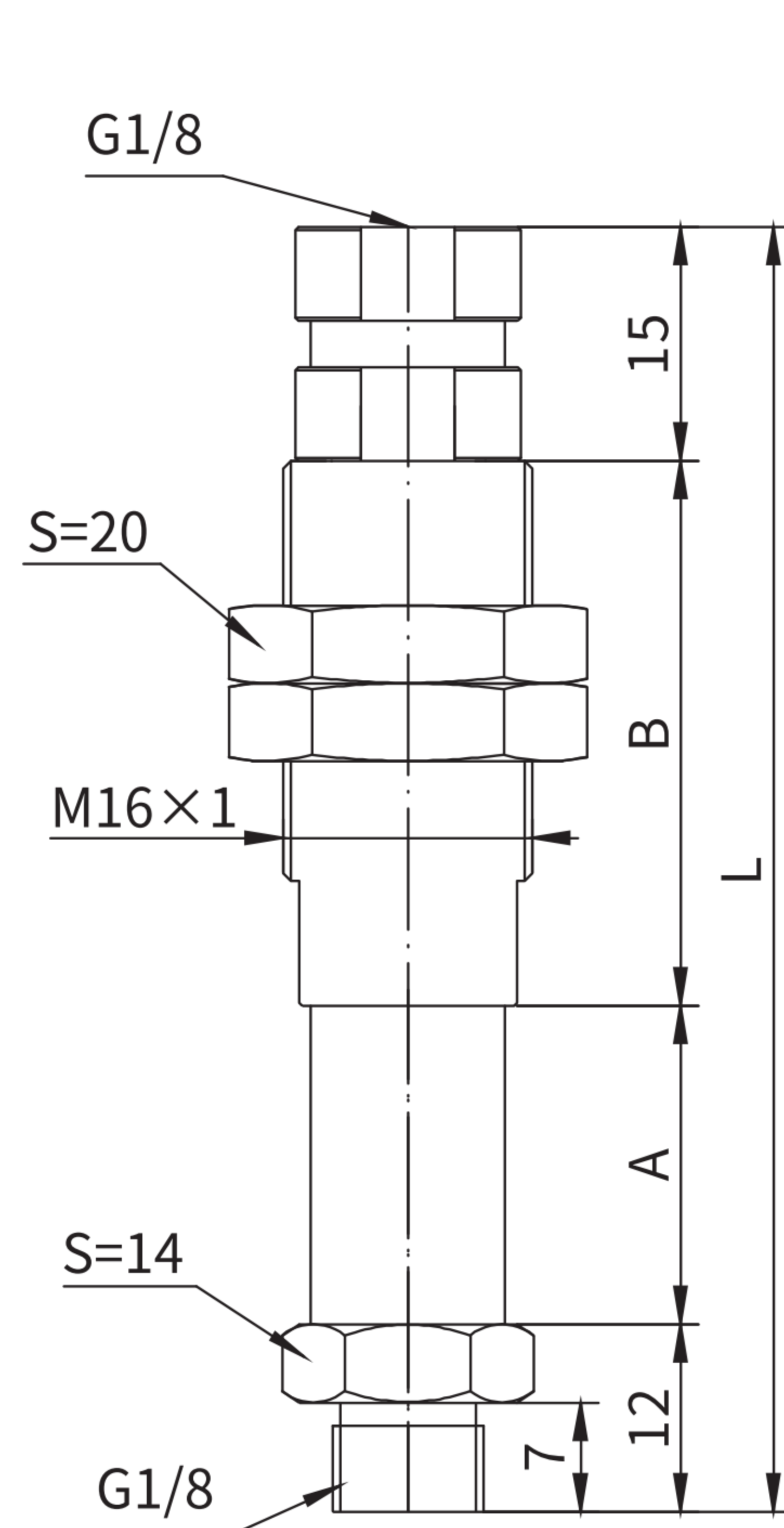
- The built-in damping spring has very good compensation for different heights when conveying workpieces.
- Large range of connection threads and lifting heights enables use for a wide variety of applications and suction pads
- Spring damping and soft contact with sensitive workpieces.
- Abrasion resistant guide rod, longer life.

### How to Order?

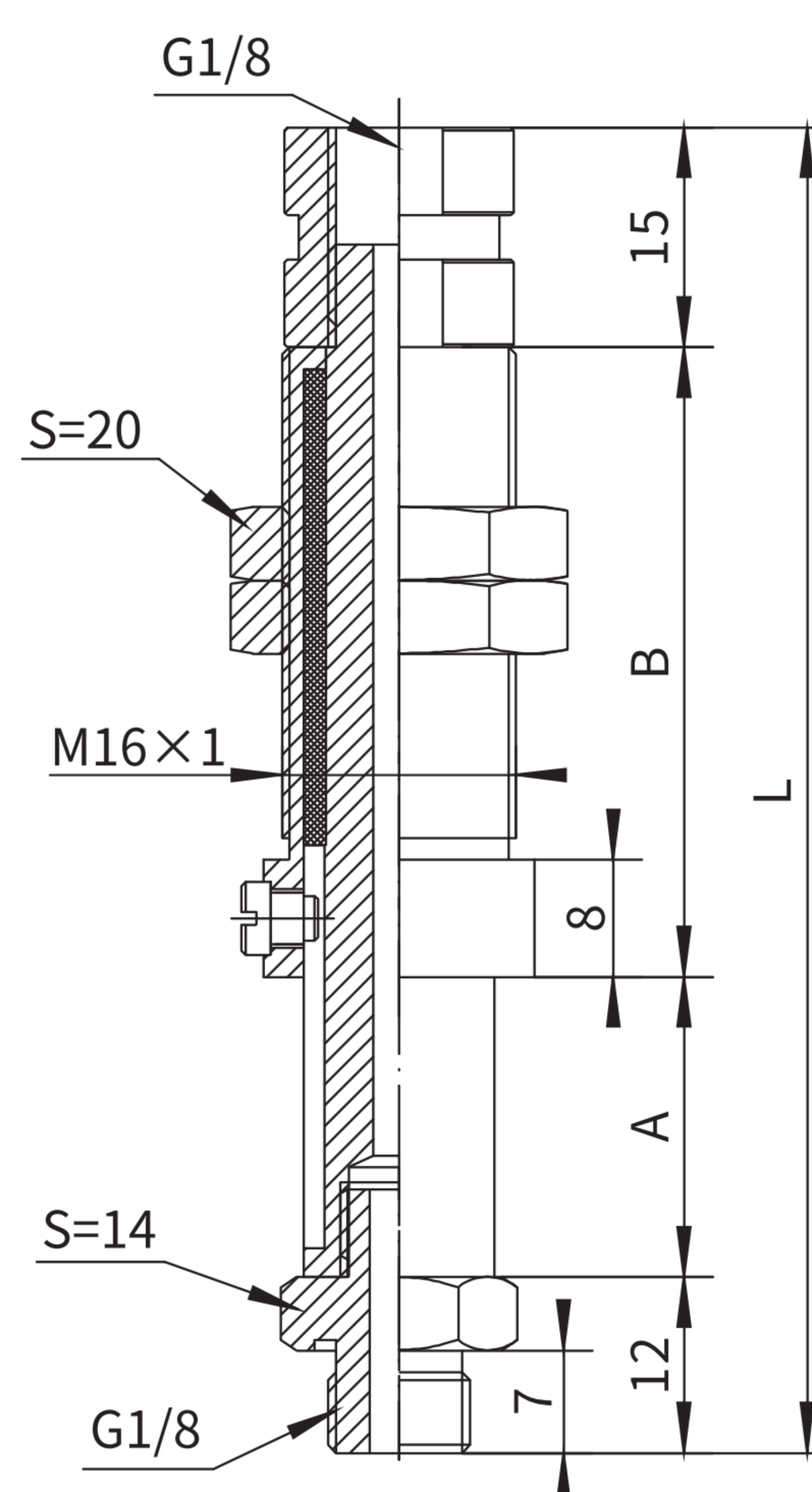
Series No.	Suction Cup Connection	Lifting Heights	□	Guide Bush Male Thread
KI: Internal spring	18: G1/8	10: 10mm stroke 20: 20mm stroke 30: 30mm stroke 50: 50mm stroke	Blank: standard V: Female thread F: Non rotary L: Lateral port	A16: M16X1 A18: M18X1

**Order Example:** KI Internal Spring Plungers, suction cup connection G1/8, lifting heights stroke 10mm, standard specification, guide bush male thread M16X1. Order code is: KI1810-A16

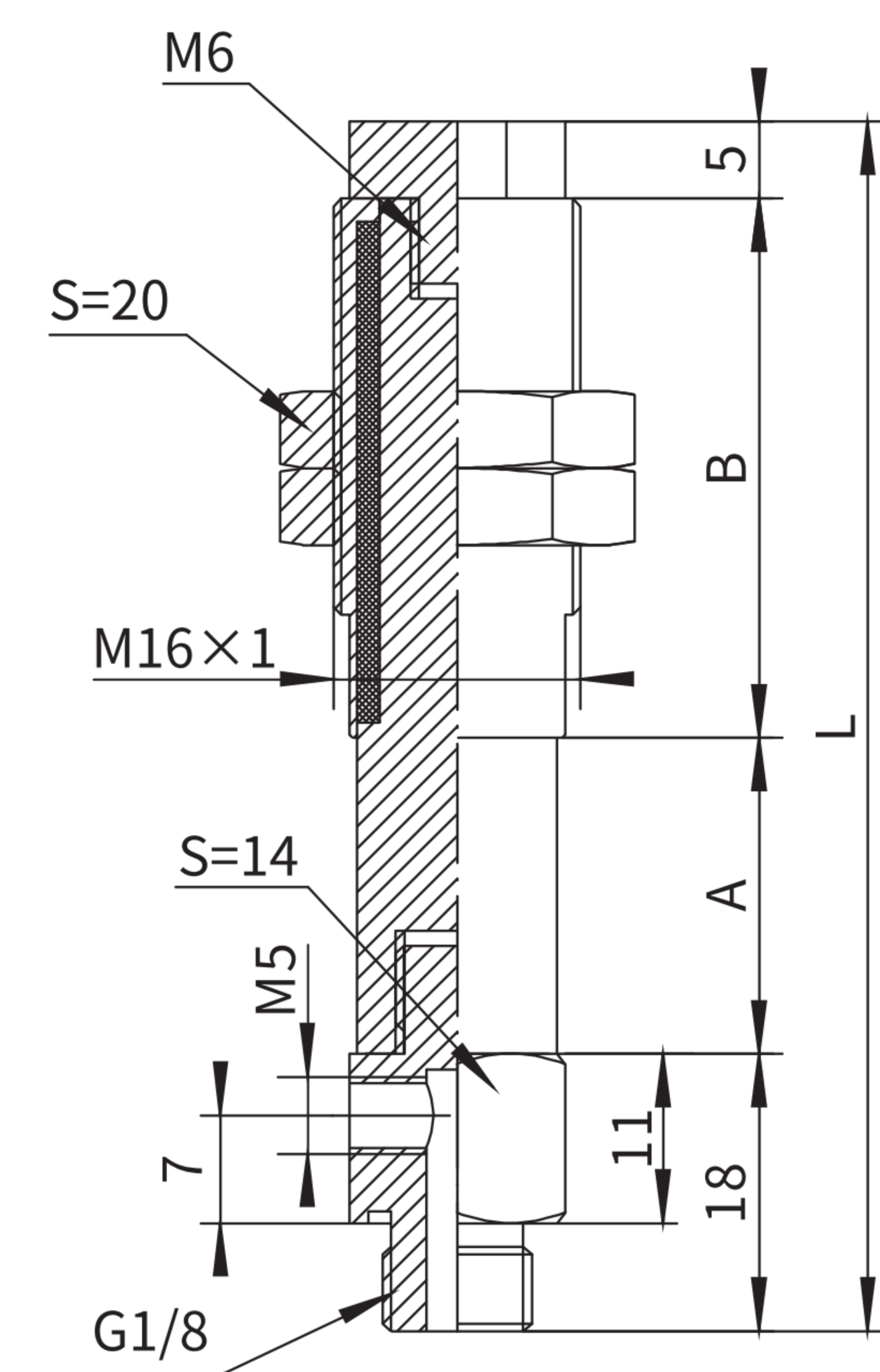
### Main Dimension



KI18 10-□-A16  
① ②



KI18 10-F-A16  
①



KI18 10-L-A16  
①

①Lifting Heights	②Blank Default / V	A	B	L
10	Conventional fittings/internal thread fittings	10.5	25	62.5
20		20.5	35	82.5
30		30.5	45	102.5
50		50.5	65	142.5

①Lifting Heights	A	B	L
10	10.5	33	70.5
20	20.5	43	90.5
30	30.5	53	110.5
50	50.5	73	150.5

①Lifting Heights	A	B	L
10	10.5	25	58.5
20	20.5	35	78.5
30	30.5	45	98.5
50	50.5	65	138.5