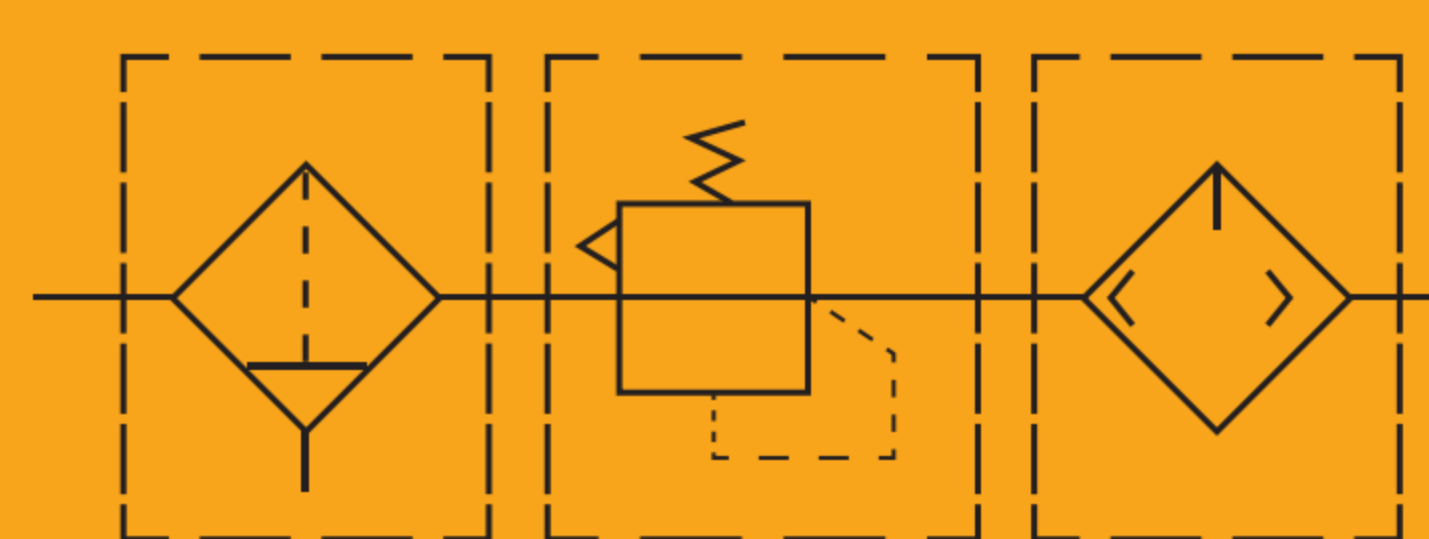


## EIC

FR.L



### Specifications

Model	EIC2010	EIC3010	EIC4010	EIC5010
Proof Pressure(MPa)	1.5			
Working Pressure Range(MPa)	0.15~1.0			
Pressure Adjustment Range(MPa)	0.05~0.9			
Working temperature(°C)	-5~60			
Filter precision	25µm(5 µm is optional)			
Recommended oil	Turbine No.1 Oil ISOVG32			
Bowl material	Polycarbonate			
Bowl guard	None	Available		
Valve type	With overflow			

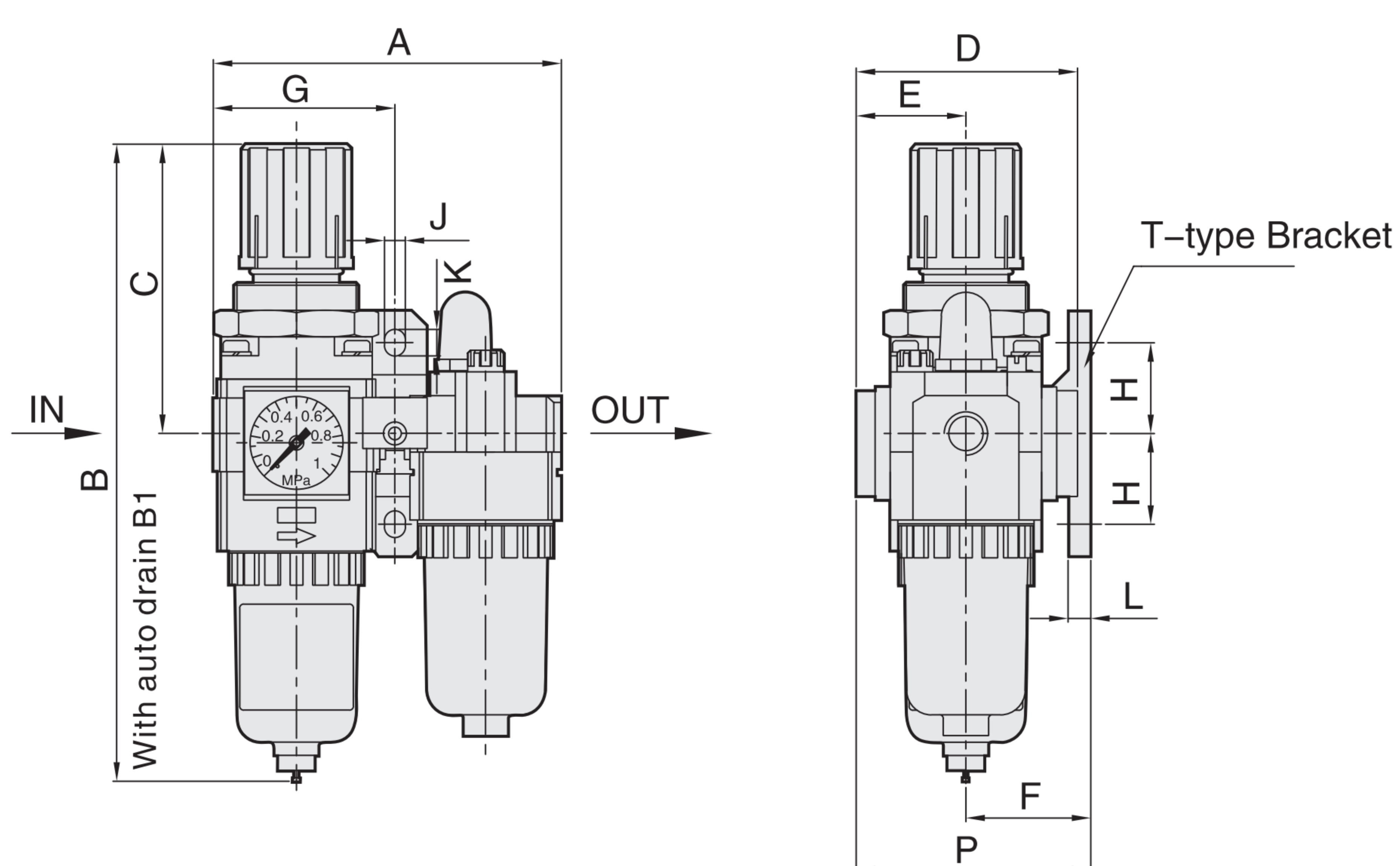
Model	Specifications			
	Assembly		* Rated flow (L/min)	*Port size (G)
	Filter with pressure reducer	Lubricator		
EIC2010-01	EIW2000	EIL2000	945	1/8
EIC2010-02			960	1/4
EIC3010-02	EIW3000	EIL3000	1874	1/4
EIC3010-03			1956	3/8
EIC4010-04	EIW4000	EIL4000	5120	1/2
EIC5010-06	EIW5000	EIL5000	6000	3/4
EIC5010-10			6200	1

\* The above information is based on 8.0 Bar supply pressure and 6.3 Bar set pressure

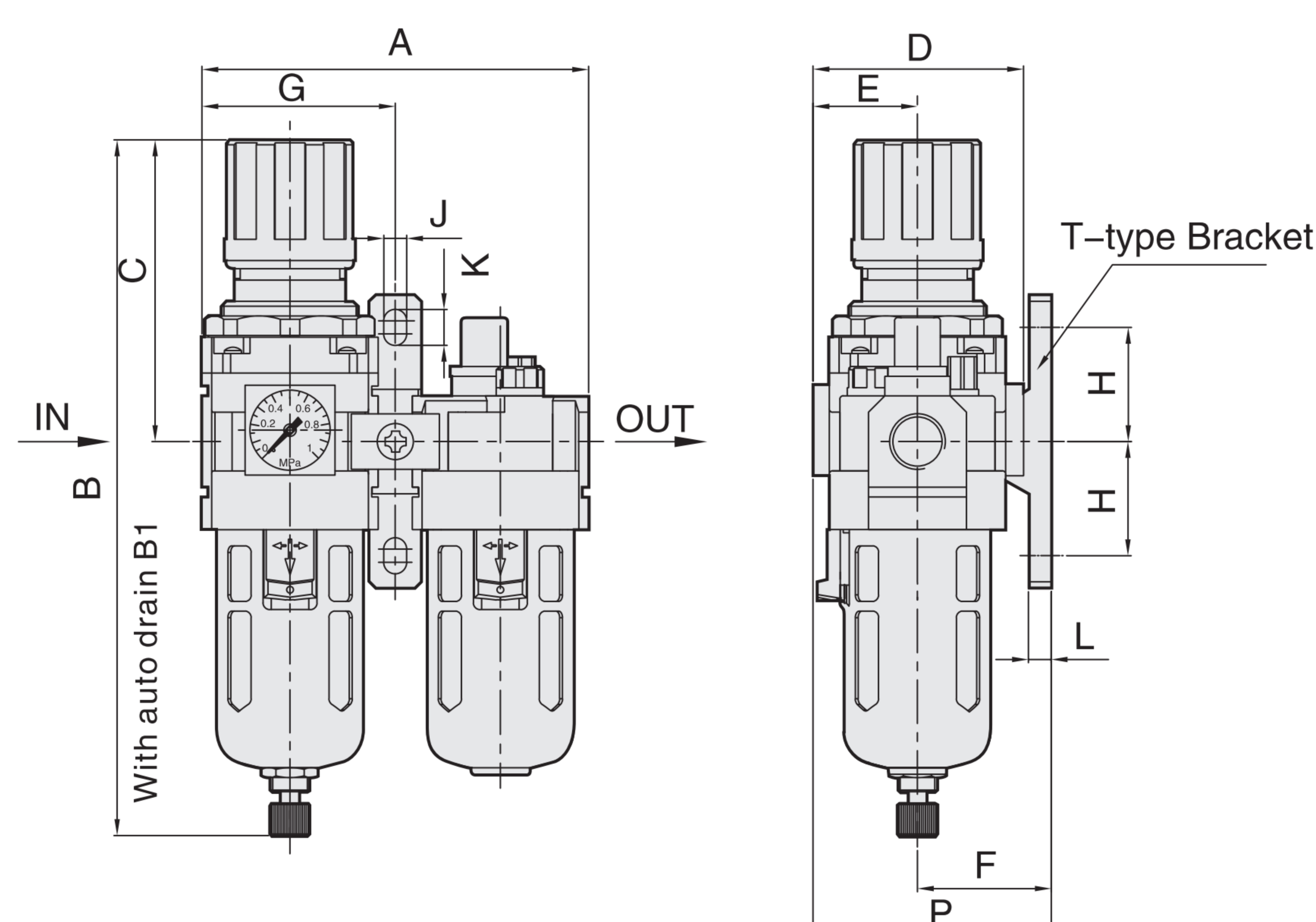
\* NPT,PT port size is optional

### Main Dimension

EIC2010



EIC3010-EIC5010



Model	Port Size (G)	A	B	B1	C	D	E	F	G	H	J	K	L	P
EIC2010	1/8"-1/4"	90	168.5	205.5	82	54	27	29.5	45	24	5.5	8.5	5	56.5
EIC3010	1/4"-3/8"	117	210.5	224.5	92	63	31.5	40	59.5	35	7.5	11	7.2	71.5
EIC4010	3/8"-1/2"	154	264	267	113.5	80	40	49.5	77	39	9	13	7.2	89.5
EIC5010	3/4"-1"	195	343	348	121.5	94	47	68.5	97.5	50	12	16	10.5	115.5