

KI5



Features

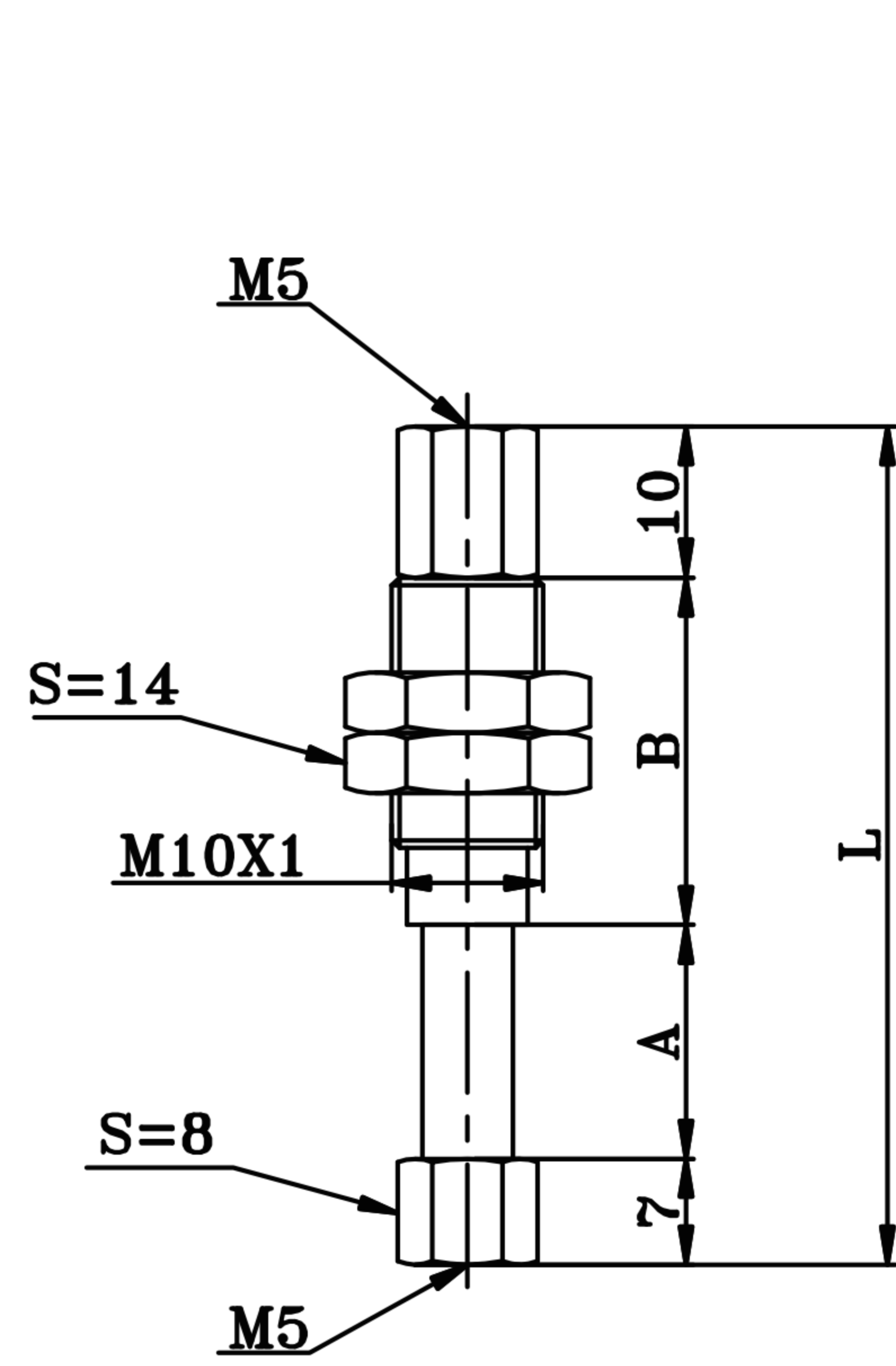
- The built-in damping spring has very good compensation for different heights when conveying workpieces.
- Large range of connection threads and lifting heights enables use for a wide variety of applications and suction pads.
- Spring damping and soft contact with sensitive workpieces.
- Abrasion resistant guide rod, longer life.

How to Order?

Series No.	Suction Cup Connection	Lifting Heights	—	□	—	Guide Bush Male Thread
KI: Internal spring	5: M5	06: 6mm stroke 07: 7mm stroke 10: 10mm stroke 12: 12mm stroke 15: 15mm stroke 20: 20mm stroke 25: 25mm stroke		Blank: standard V: female thread F: Non-rotation		A10: M10×1

Order Example: KI Internal Spring Plungers, suction cup connection M5, lifting heights stroke 10mm, standard specification, guide bush male thread M10X1. Order code is: KI510-A10

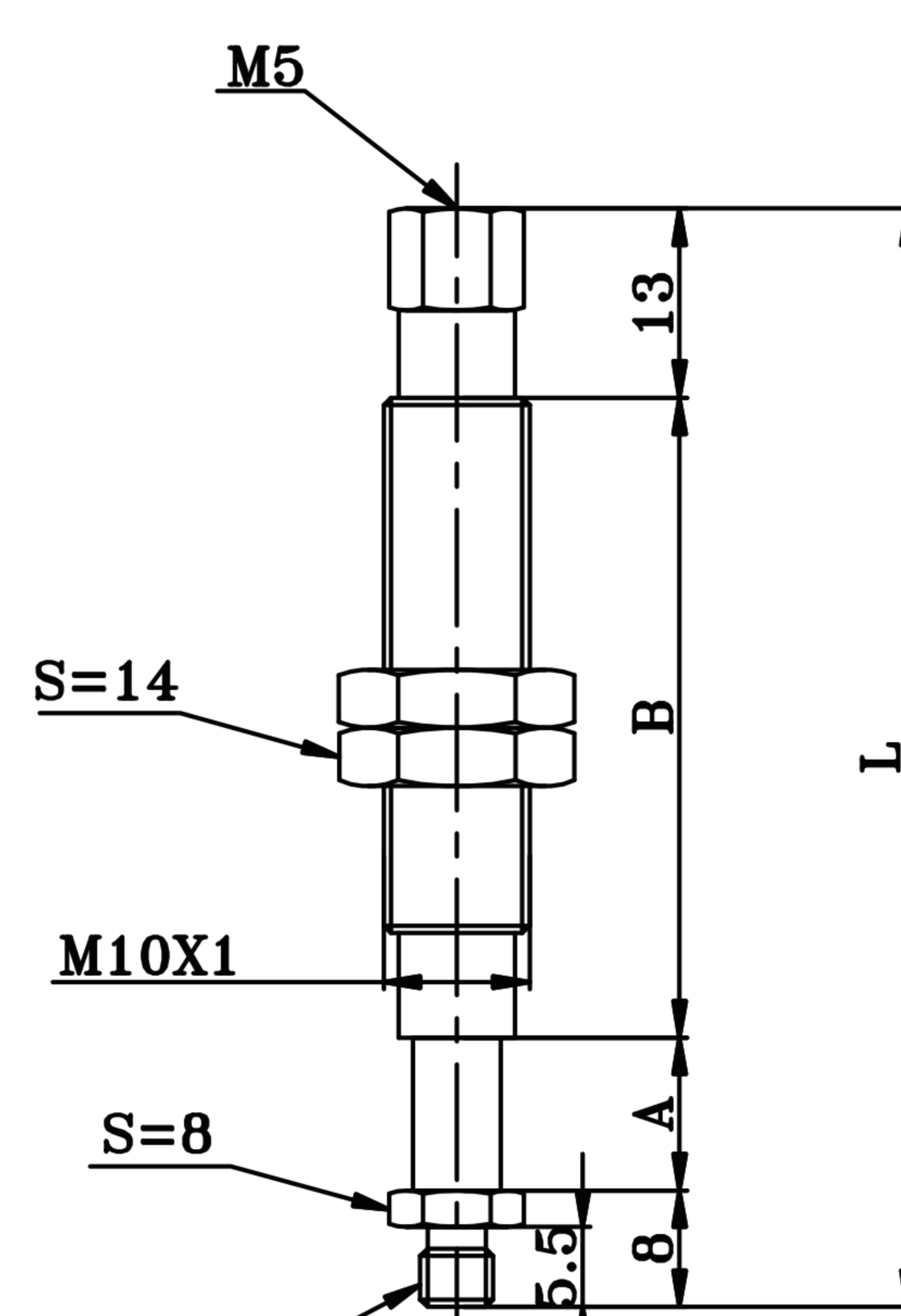
Main Dimension



KI5 15-V-A10

①

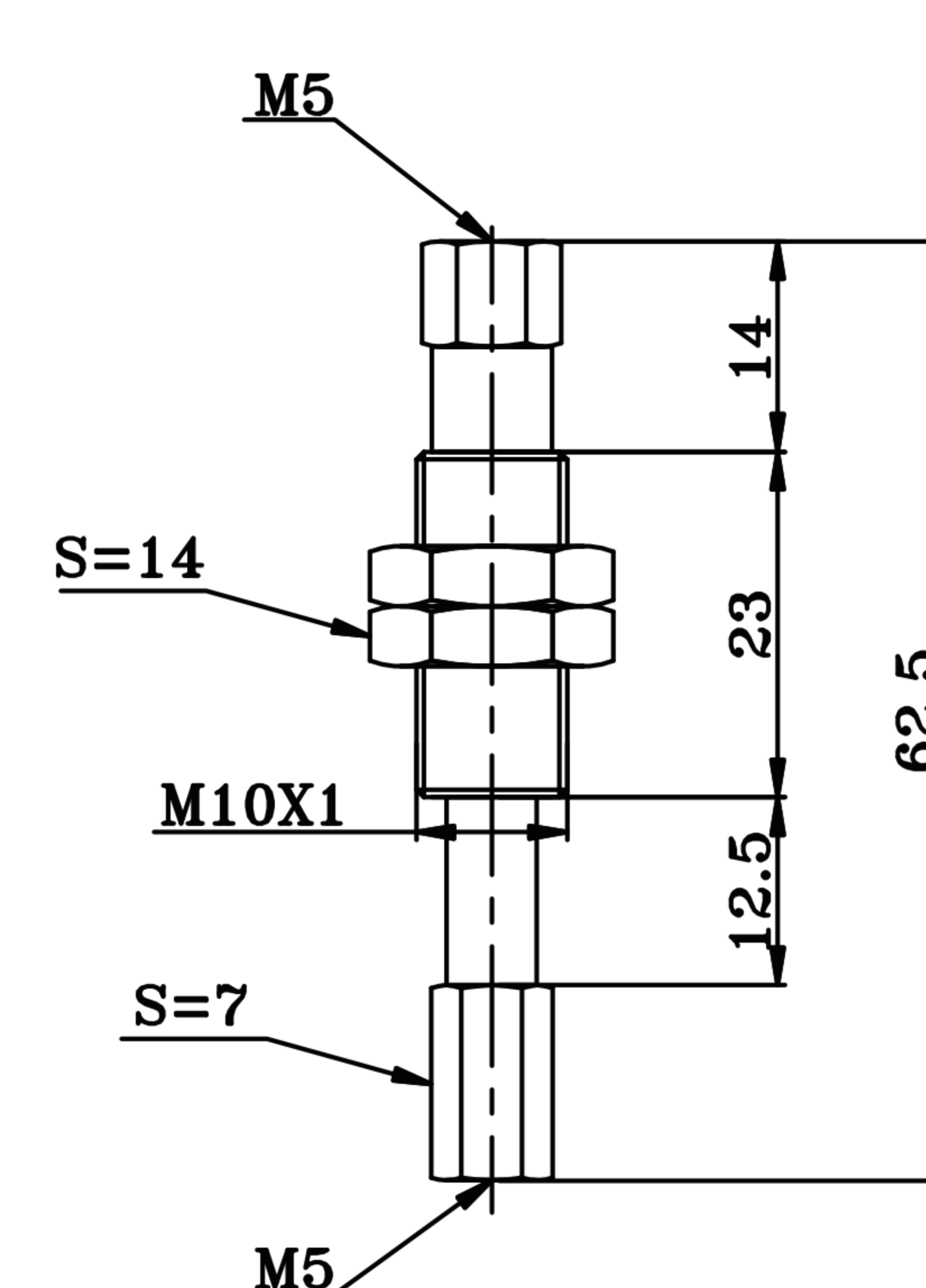
①Lifting Heights	A	B	L
07	7.5	19	43.5
15	15.5	23	55.5
20	20.5	36	73.5
25	25.5	41.5	84



KI5 10-A10

①

①Lifting Heights	A	B	L
06	6.8	15	42.5
10	10.5	44	75.5
25	25.5	44	90.5



KI5 12-F-V-A10