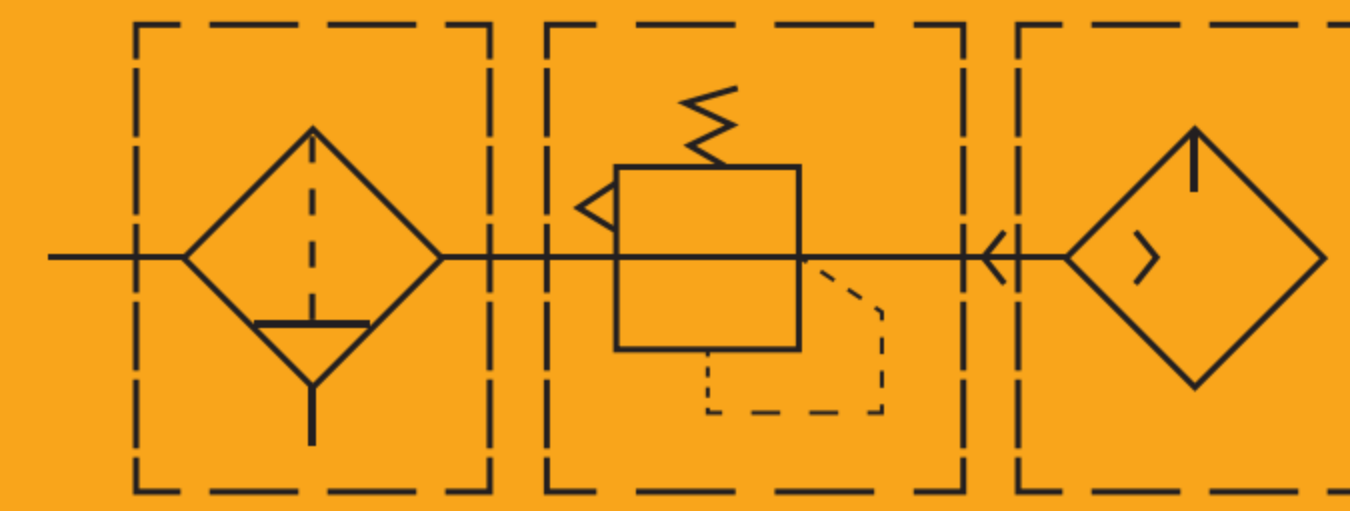


# EI Series Air Preparation Unit



## EIC

### F.R.L



### Specifications

Model	EIC2000	EIC3000	EIC4000	EIC5000
Proof Pressure(MPa)	1.5			
Working Pressure Range(MPa)	0.15~1.0			
Pressure Adjustment Range(MPa)	0.05~0.9			
Working temperature(°C)	-5~60			
Filter precision	25µm(5 µm is optional)			
Recommended oil	Turbine No.1 Oil ISOVG32			
Bowl material	Polycarbonate			
Bowl guard	None	Available		
Valve type	With overflow			

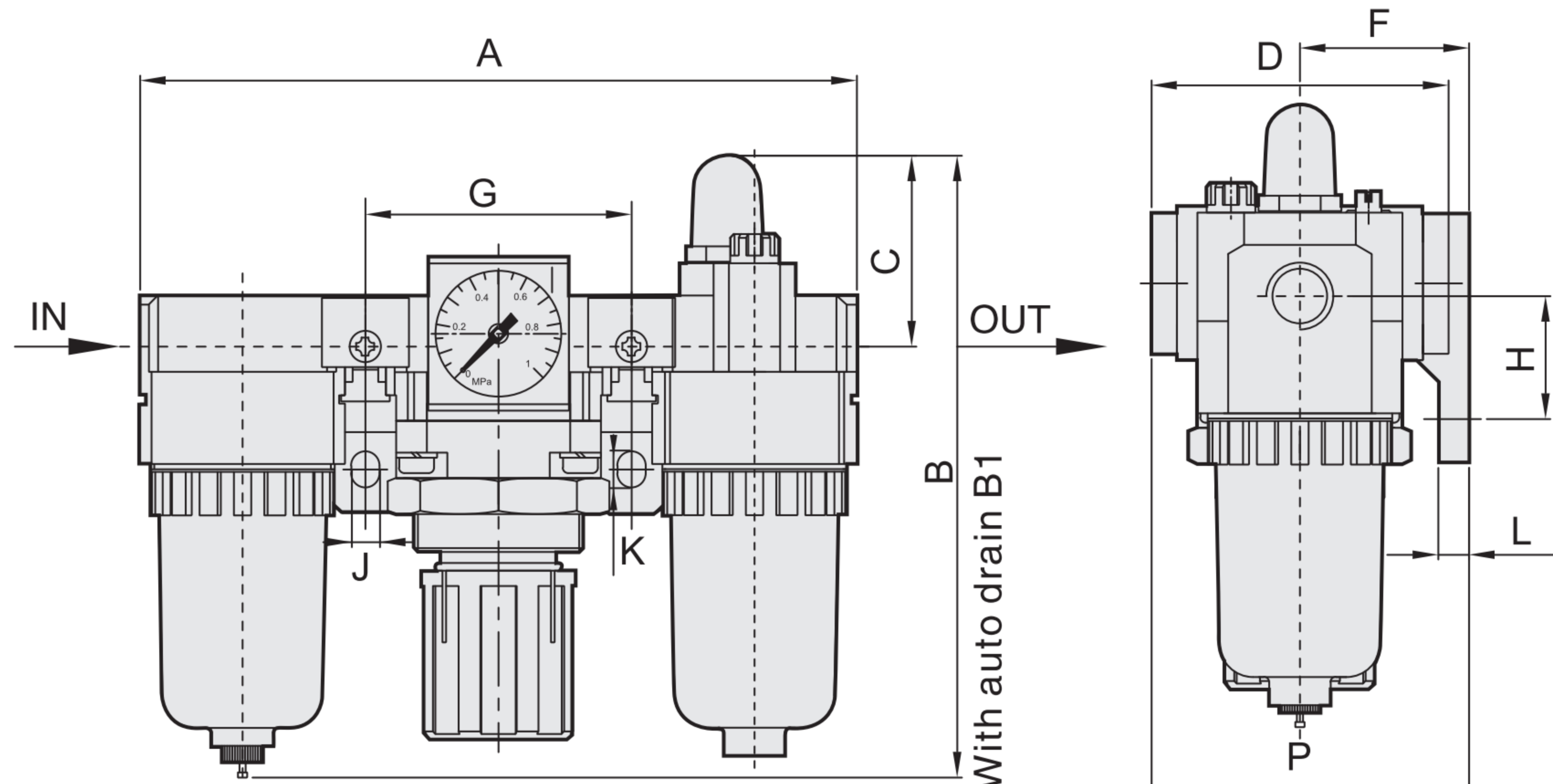
Model	Specifications				* Rated flow (L/min)	* Port size (G)
	Filter	Assembly Regulator	Lubricator			
EIC2000-01	EIF2000	EIR2000	EIL2000		1000	1/8
EIC2000-02				1100	1/4	
EIC3000-02	EIF3000	EIR3000	EIL3000		1950	1/4
EIC3000-03				2105	3/8	
EIC4000-04	EIF4000	EIR4000	EIL4000		5200	1/2
EIC5000-06	EIF5000	EIR5000	EIL5000		6200	3/4
EIC5000-10				6500	1	

\* The above information is based on 8.0 Bar supply pressure and 6.3 Bar set pressure

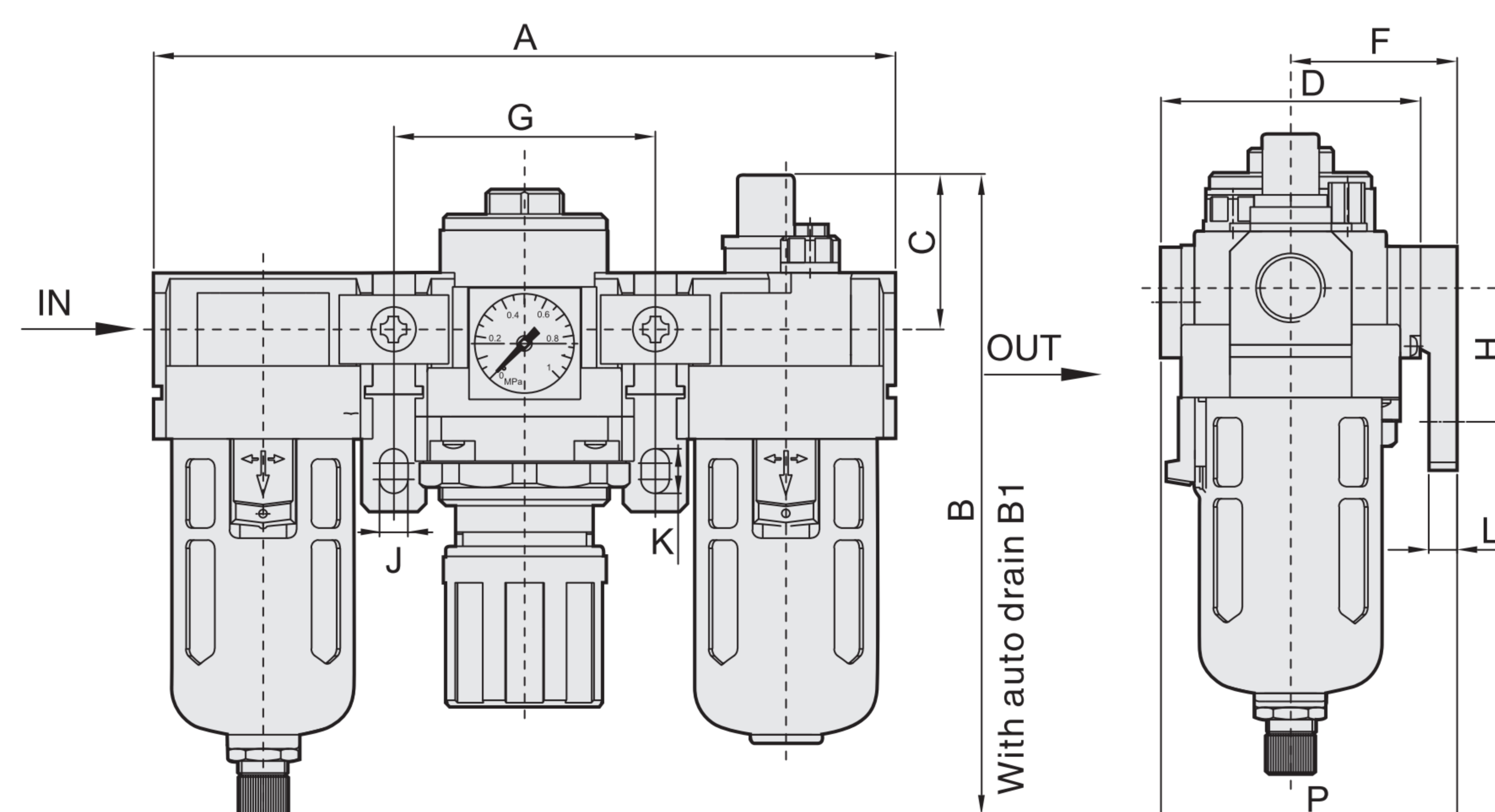
\* NPT,PT port size is optional

### Main Dimension

EIC2000



EIC3000-EIC5000



Model	Port Size (G)	A	B	B1	C	D	F	G	H	J	K	L	P
EIC2000	1/8"-1/4"	140	123	161	37.5	54	30	50	24	5.5	8.5	5	57
EIC3000	1/4"-3/8"	184	157.5	170	39	64	41	65	35	7.5	11	7.2	71
EIC4000	3/8"-1/2"	238	190	194	40	80	50	84	40	9	13	7.2	88
EIC5000	3/4"-1"	300	271.5	274.5	45.5	90	69.8	105	50	12	16	10.5	115

5

EIC