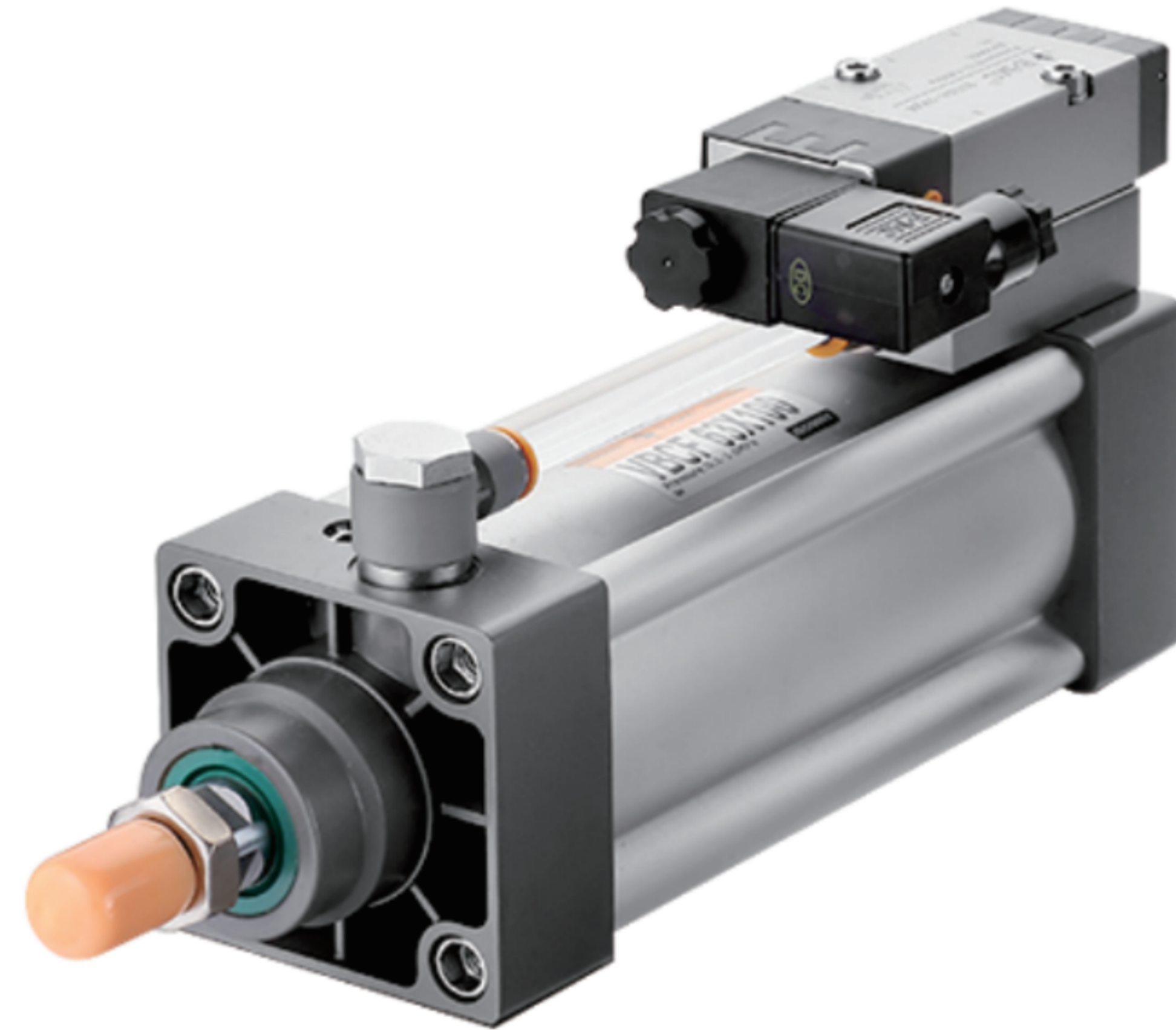


TBCF/VBCF

Valve Mounted Air Cylinder



How to Order?

TBCF

Series No.	Bore X Stroke	Magnet No.	Mounting Type	Valve Port Size	Voltage	Connection Mode	Cover Color	Patchcord	Thread Type											
TBCF	32 25 40 50 50 75 63 ... 80 100	Blank: No magnet S: With magnet	Blank: No CA TC CB IJ CR YJ LB YCJ FA BJ FB FD	32 40 50 63 80 100	06: 1/8" 08: 1/4" 08: 1/4" 10: 3/8"	Blank: DIN connector F: Flying leads K: Waterproof DIN connector L: Plug-in type	Blank: Brown translucent J: Colorless and translucent B: Black (K/M connector is only available in black)	Blank: Wiring length 0.3 meters 0.6M: Wiring length 0.6 meters 1M: Wiring length 1 meter (This ordering code is only for F-type lead and L-type plug-in type)	Blank: G P: PT T: NPT											
				<table border="1"> <tr><td>E1: AC110V</td><td>E6: AC36V</td></tr> <tr><td>E2: AC220V</td><td>E7: AC24V</td></tr> <tr><td>E3: AC380V</td><td>E8: DC110V</td></tr> <tr><td>E4: DC24V</td><td>E9: DC48V</td></tr> <tr><td>E5: DC12V</td><td>E10: DC36V</td></tr> </table>		E1: AC110V	E6: AC36V	E2: AC220V	E7: AC24V	E3: AC380V	E8: DC110V	E4: DC24V	E9: DC48V	E5: DC12V	E10: DC36V					
E1: AC110V	E6: AC36V																			
E2: AC220V	E7: AC24V																			
E3: AC380V	E8: DC110V																			
E4: DC24V	E9: DC48V																			
E5: DC12V	E10: DC36V																			

Order Example:

TBCF series basic type valve mounted air cylinder, bore 63mm, stroke 100mm, with magnet, valve port size G1/4", Voltage DC24V, teal junction box type, wiring length 0.3m, voltage DC24V, ERP Code is TBCF63X100-S-08E4

VBCF

Series No.	Bore X Stroke	Magnet No.	Mounting Type	Valve Port Size	Voltage	Connection Mode	Cover Color	Patchcord	Thread Type											
VBCF	32 25 40 50 50 75 63 ... 80 100	Blank: No magnet S: With magnet	Blank: No CA TC CB IJ CR YJ LB YCJ FA BJ FB FD	06: 1/8" 08: 1/4" 10: 3/8"		Blank: DIN connector F: Flying leads K: Waterproof DIN connector L: Plug-in type	Blank: Brown translucent J: Colorless and translucent B: Black (K/M connector is only available in black)	Blank: Wiring length 0.3 meters 0.6M: Wiring length 0.6 meters 1M: Wiring length 1 meter (This ordering code is only for F-type lead and L-type plug-in type)	Blank: G P: PT T: NPT											
				<table border="1"> <tr><td>E1: AC110V</td><td>E6: AC36V</td></tr> <tr><td>E2: AC220V</td><td>E7: AC24V</td></tr> <tr><td>E3: AC380V</td><td>E8: DC110V</td></tr> <tr><td>E4: DC24V</td><td>E9: DC48V</td></tr> <tr><td>E5: DC12V</td><td>E10: DC36V</td></tr> </table>		E1: AC110V	E6: AC36V	E2: AC220V	E7: AC24V	E3: AC380V	E8: DC110V	E4: DC24V	E9: DC48V	E5: DC12V	E10: DC36V					
E1: AC110V	E6: AC36V																			
E2: AC220V	E7: AC24V																			
E3: AC380V	E8: DC110V																			
E4: DC24V	E9: DC48V																			
E5: DC12V	E10: DC36V																			

Order Example:

VBCF series basic type valve mounted air cylinder, bore 63mm, stroke 100mm, with magnet, valve port size G1/4", Voltage DC24V, teal junction box type, wiring length 0.3m, voltage DC24V, ERP Code is VBCF63X100-S-08E4

TBCF/VBCF Series Valve Mounted Air Cylinder



Stroke

TBCF

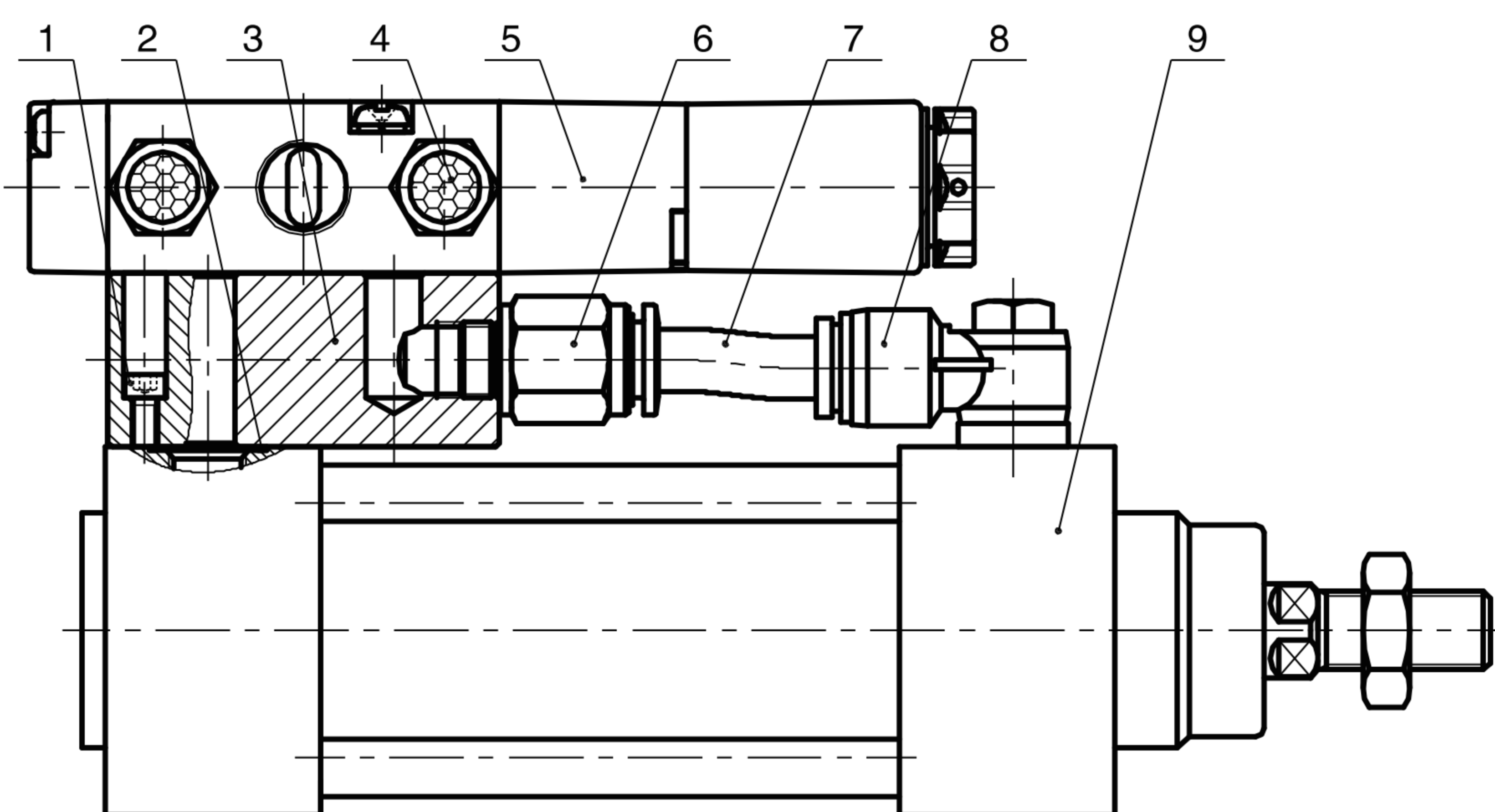
Bore (mm)		Standard Stroke (mm)	Min.Stroke (mm)	Max.Stroke (mm)
32	Standard	50~1900	50	1900
40	With TC	100~1900	100	
50				
63	Standard	75~1900	75	1900
80	With TC	125~1900	125	
100				

VBCF

Bore (mm)		Standard Stroke (mm)	Min.Stroke (mm)	Max.Stroke (mm)
32	Standard	50~1900	50	1900
40				
50				
63	With TC	100~1900	100	1900
80				
100				

Note: Above mentioned strokes are standard, if non-standard required, please contact us.

Internal Structure



NO.	Part Name	Material
1	Hexagon Socket Cap Screw	SCM435
2	O-ring	NBR
3	Fixing Plate	Aluminum alloy
4	Muffler	Brass+bronze particle sintered
5	Standard Solenoid Valve	Assembly Unit
6	Grey-Orange Plastic Fitting	Assembly Unit
7	Blue PU Tube	PU
8	Grey-Orange Plastic Fitting	Assembly Unit
9	Cylinder	Assembly Unit

Specifications

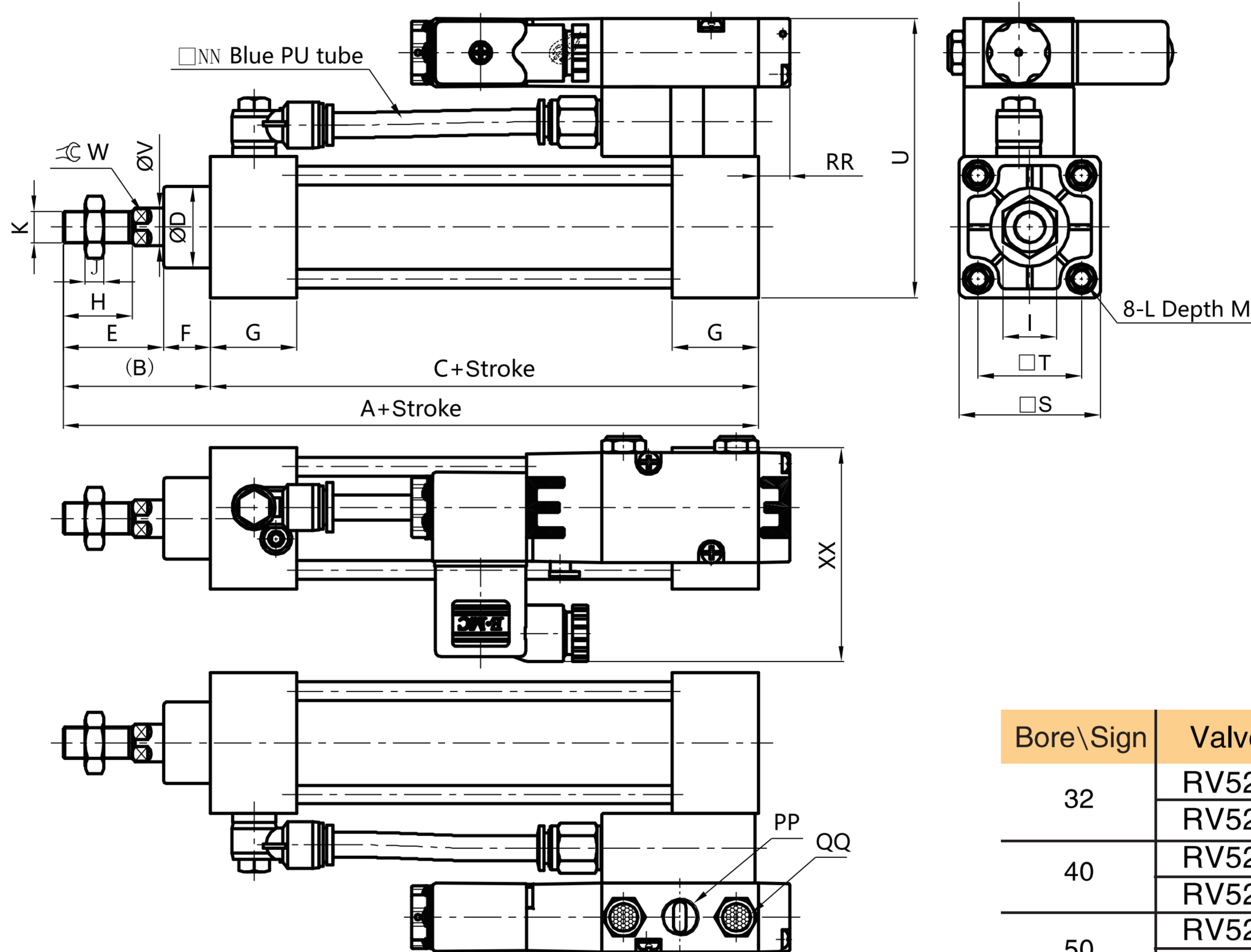
Part of Cylinder						
Bore Size (mm)	32	40	50	63	80	100
Acting type	Double Acting					
Working medium	Clean Air(40 μ m filtration)					
Working pressure (MPa)	0.1~1.0					
Guaranteed pressure (MPa)	1.5					
Working temperature (°C)	-20~70(No freezing)					
Speed range (mm/s)	30~500					
Cushion type	Adjuster cushion					
Cushion stroke (mm)	25	24	30			
Mounting type	FA CA CB LB TC					
Port size of cylinder	G1/8"	G1/4"	G3/8"		G1/2"	
PU hose Size (OD X ID)	8X5			10X6.5		

Part of Valve		
Model No.	RV5221-06QM RV5221-08QM	RV5231-08QM RV5231-10QM
Acting type	Internal pilot type	
Working medium	Clean air(After 40 μ m filtration)	
Port size of valve	06:intake=exhaust=G1/8 08:intake=G1/4,exhaust=G1/8	08:intake=exhaust=G1/4 10:intake=G3/8,exhaust=G1/4
Sectional area(mm)	RV5221-06QM: 14(CV=0.78) RV5221-08QM: 16(CV=0.89)	RV5231-08QM: 25(CV=1.40) RV5231-10QM: 30(CV=1.68)
Reset type	Air reset	
Lubrication	Not required	
Working pressure(MPa)	0.15~0.8	
Guaranteed pressur(MPa)	1.2	
Working temperature(°C)	-20~70(No freezing)	
Voltage range	-15%~10%	
Power consumption	DC:3.0W AC:4.0VA	
Insulation class	Class F	
Protective class	IP65(DIN40050)	
Max. acting frequency	2 positions: 5 Cycles/s; 2 positions: 3 Cycles/s	
Activate time(S)	0.05	

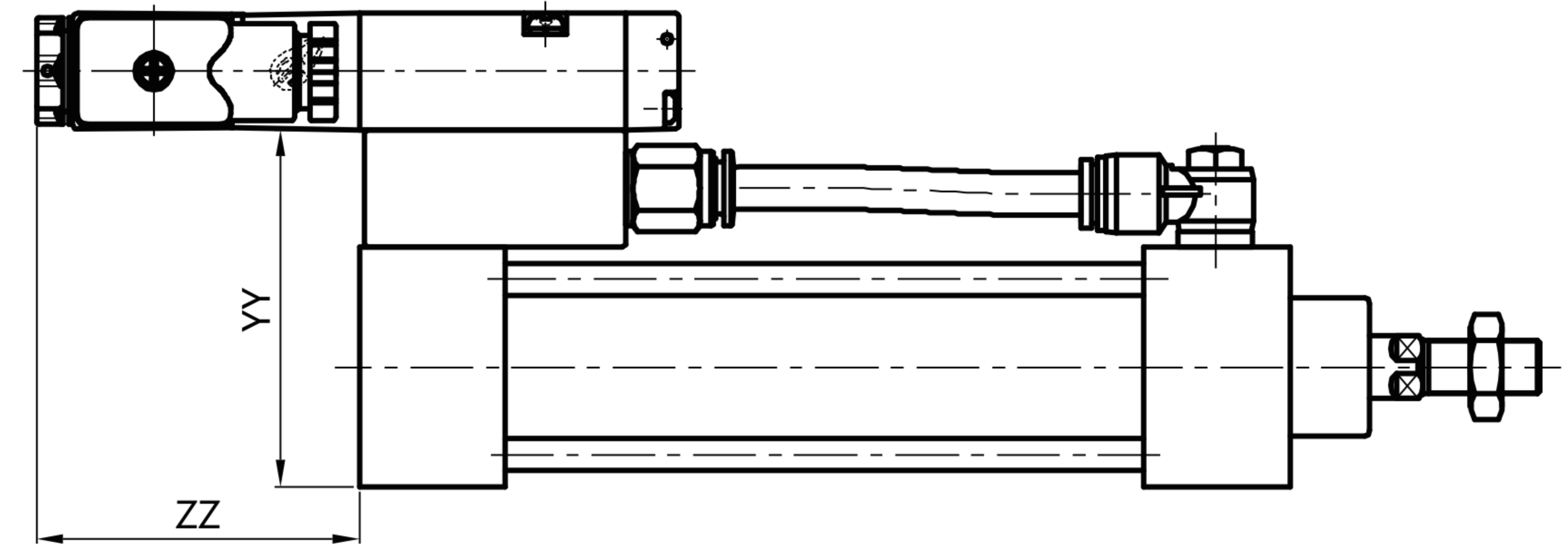
◎ Main Dimension

TBCF

Get electricity piston rod retract



Get electricity piston rod extend



(mm)

Bore \ Sign	Valve Mounted	PP	QQ	NN	RR	XX	YY	ZZ
32	RV5221-06QM	G1/8	G1/8	8	10	68.2	67.2	60.7
	RV5221-08QM	G1/4						
40	RV5221-06QM	G1/8	G1/8	8	11	69.2	72.2	61.7
	RV5221-08QM	G1/4						
50	RV5221-06QM	G1/8	G1/8	8	10	71.7	84.2	60.7
	RV5221-08QM	G1/4						
63	RV5231-08QM	G1/4	G1/4	8	20.1	79.7	97	71.2
	RV5231-10QM	G3/8						
80	RV5231-08QM	G1/4	G1/4	10	18.1	88.7	116	69.2
	RV5231-10QM	G3/8						
100	RV5231-08QM	G1/4	G1/4	10	15.6	97.7	134	66.7
	RV5231-10QM	G3/8						

Bore \ Sign	A	B	C	D	E	F	G	H	I	J	K	L	M	S	T	U	V	W
32	140	47	93	26	32	15	27.5	22	17	6	M10X1.25	M6X1	13	45	33	89.2	12	10
40	142	49	93	32	34	15	27.5	24	17	7	M12X1.25	M6X1	13	50	37	94.2	16	14
50	150	57	93	38	42	15	27.5	32	23	8	M16X1.5	M6X1	13	62	47	106.2	20	17
63	153	57	96	38	42	15	27.5	32	23	8	M16X1.5	M8X1.25	13	75	56	125.5	20	17
80	182	75	107	46	54	21	33	40	26	10	M20X1.5	M10X1.5	15.5	94	70	144.5	25	22
100	188	75	113	46	54	21	33	40	26	10	M20X1.5	M10X1.5	15.5	112	84	161	25	22

TBCF/VBCF Series Valve Mounted Air Cylinder

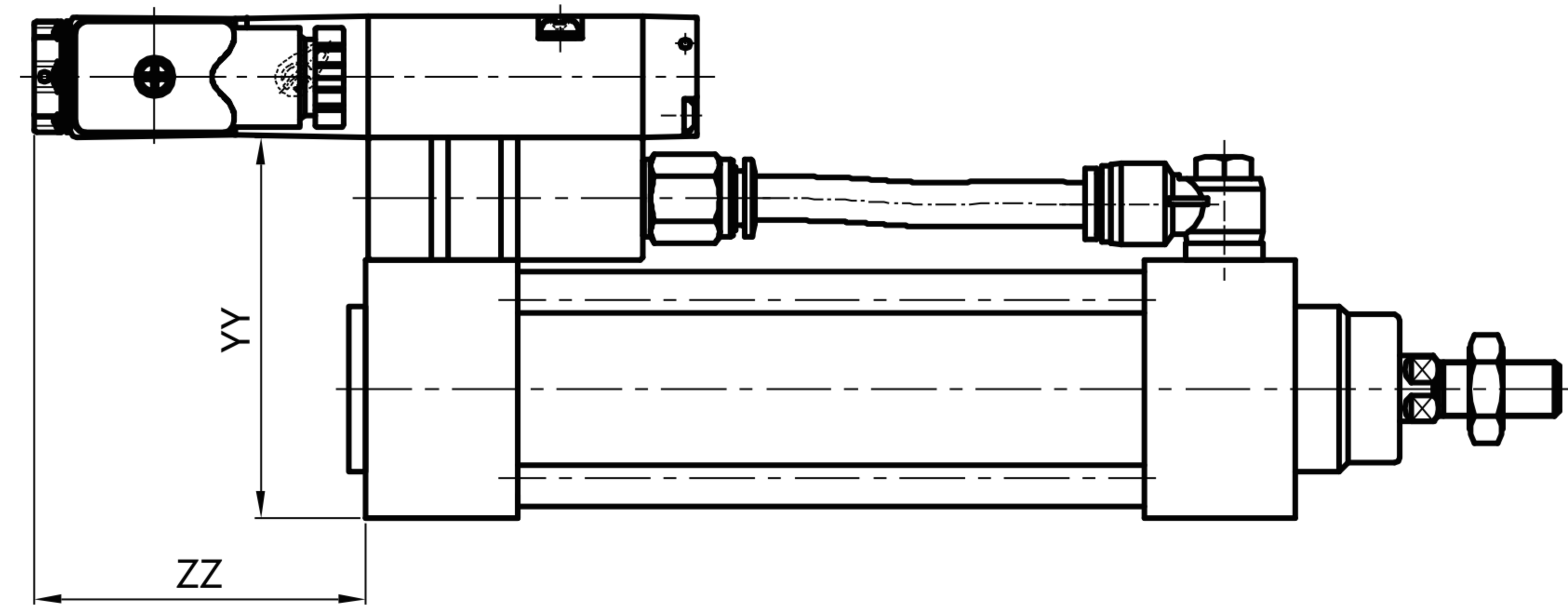
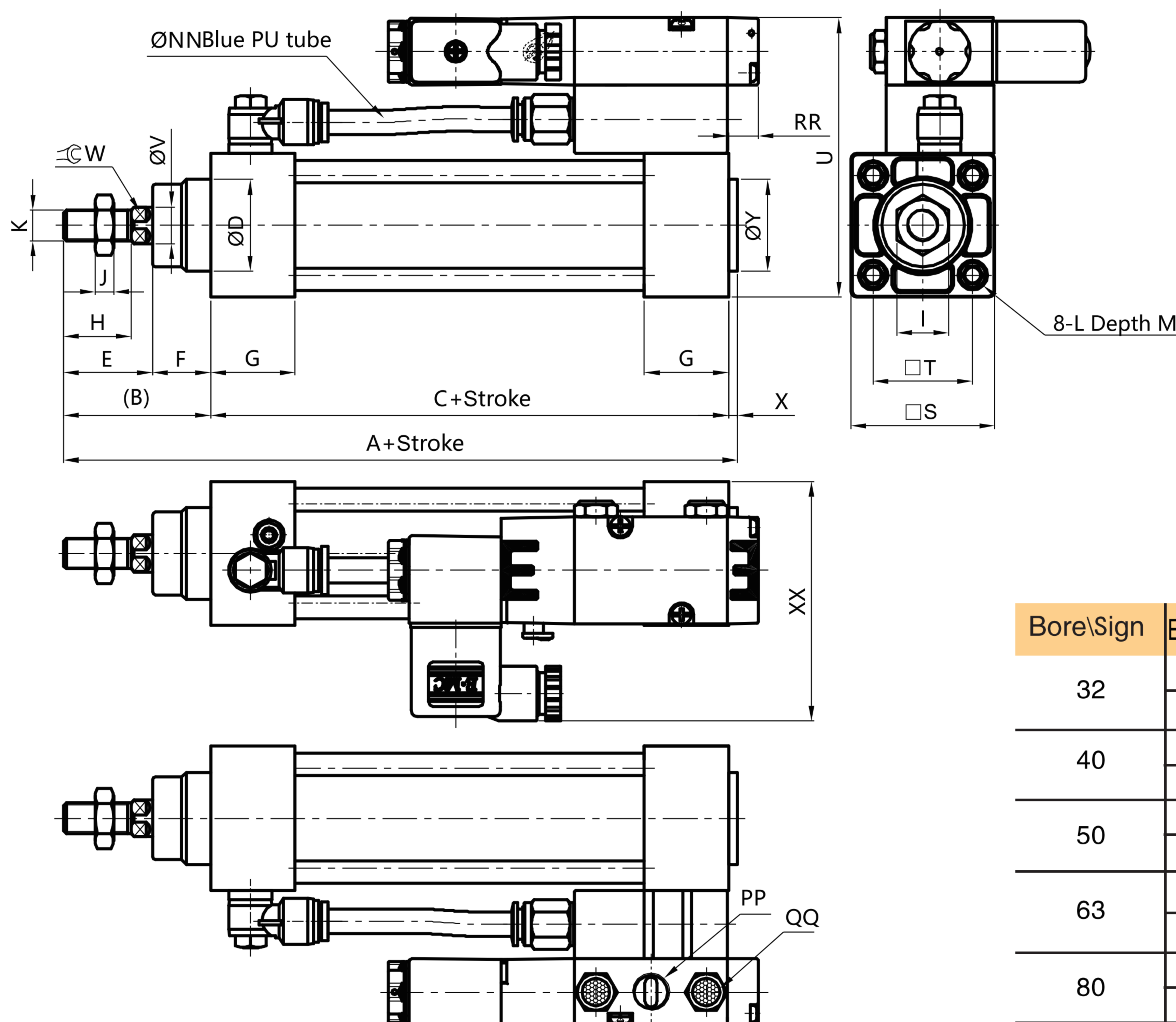


○ Main Dimension

VBCF

Get electricity piston rod retract

Get electricity piston rod extend



Bore\Sign	Equipped with Solenoid Valve	PP	QQ	NN	RR	XX	YY	ZZ
32	RV5221-06QM	G1/8	G1/8	8	9.7	78.2	69.2	60.4
	RV5221-08QM	G1/4						
40	RV5221-06QM	G1/8	G1/8	8	5.7	81.7	75.2	56.4
	RV5221-08QM	G1/4						
50	RV5221-06QM	G1/8	G1/8	8	7.2	89.2	87.2	57.9
	RV5221-08QM	G1/4						
63	RV5231-08QM	G1/4	G1/4	8	11.1	94.2	97	62.2
	RV5231-10QM	G3/8						
80	RV5231-08QM	G1/4	G1/4	10	11.2	105.7	117	62.3
	RV5231-10QM	G3/8						
100	RV5231-08QM	G1/4	G1/4	10	7.2	116.2	137	58.3
	RV5231-10QM	G3/8						

Bore\Sign	A	B	C	D	E	F	G	H	I	J	K	L	M	S	T	U	V	W
32	142	48	94	30	29	19	27.5	22	17	6	M10X1.25	M6X1	16	47	32.5	91.2	12	10
40	159	54	105	35	33	21	32	24	17	7	M12X1.25	M6X1	16	53	38	97.2	16	13
50	175	69	106	40	42	27	31	32	23	8	M16X1.5	M8X1.25	16	65	46.5	109.2	20	17
63	190	69	121	45	42	27	33	32	23	8	M16X1.5	M8X1.25	16	75	56.5	125.5	20	17
80	214	86	128	45	53	33	33	40	26	10	M20X1.5	M10X1.5	17	95	72	145.5	25	22
100	229	91	138	55	55	36	37	40	26	10	M20X1.5	M10X1.5	17	115	89	165.5	25	22