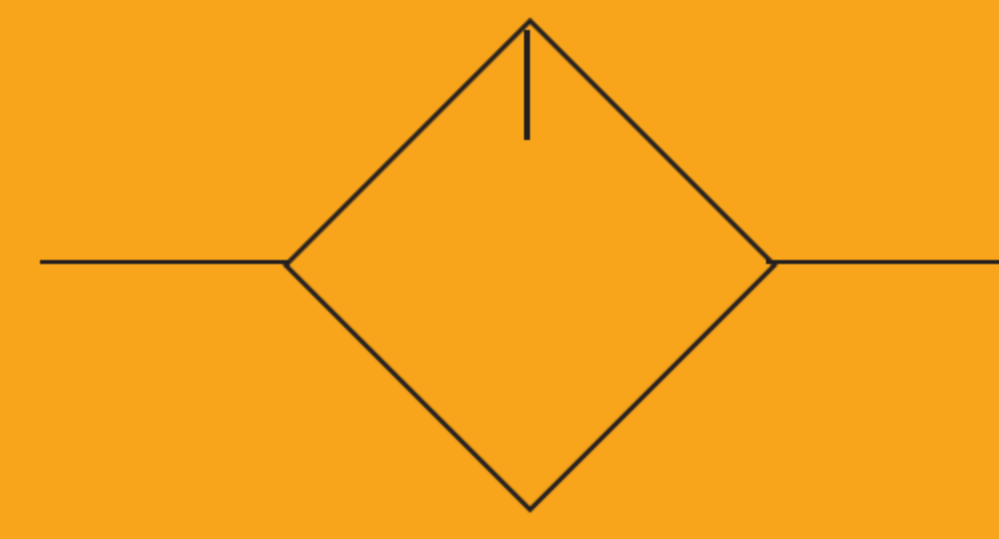


EL

Lubricator



Specifications

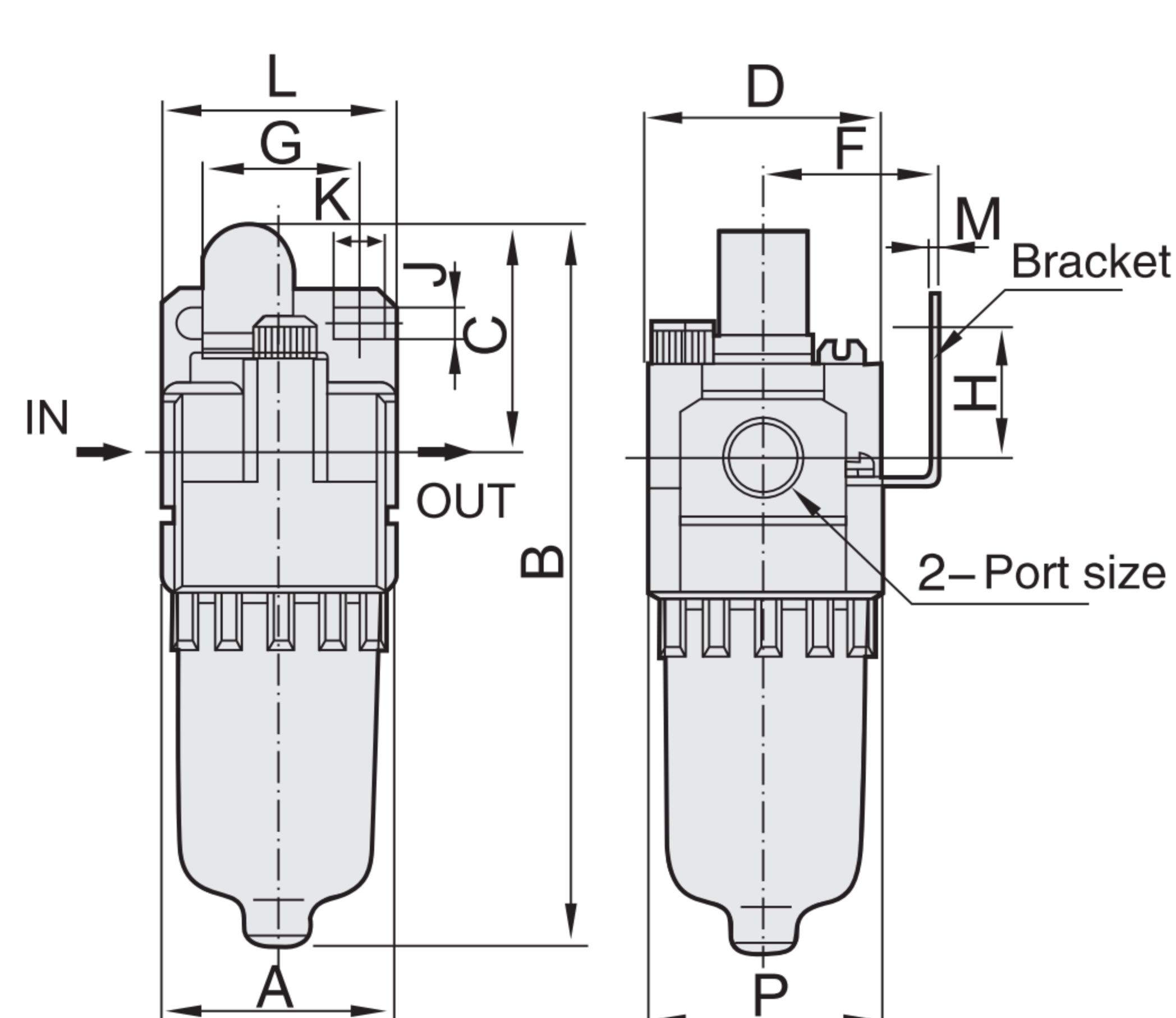
Model	EL1000	EL2000	EL3000	EL4000	EL5000
Proof pressure(MPa)	1.5				
Max. working pressure(MPa)	1.0				
Working temperature(°C)	-5~60 (No freezing)				
Filter precision	25µm (5 µm is optional)				
Bowl material	Polycarbonate				
Bowl guard	None		Available		
Pressure adjusting range (MPa)	0.15~1.0				

Model	Specifications					Accessories
	Minimal flow of oil drop (L/min)	*Rated flow(L/min)	** Port size (G)	Bowl capacity (CM ³)	Weight (kg)	Bracket
EL1000-M5	4	95	M5	7	0.07	-
EL2000-01	15	1300	1/8	25	0.22	B240
EL2000-02		1345	1/4			
EL3000-02	30	2310	1/4	50	0.50	B340
EL3000-03	40	2375	3/8			
EL4000-03	40	5321	3/8			
EL4000-04	50	5532	1/2	130	0.56	B440
EL4000-06	50	6700	3/4			
EL5000-06	190	7700	3/4	130	0.58	B540
EL5000-10		8000	1			

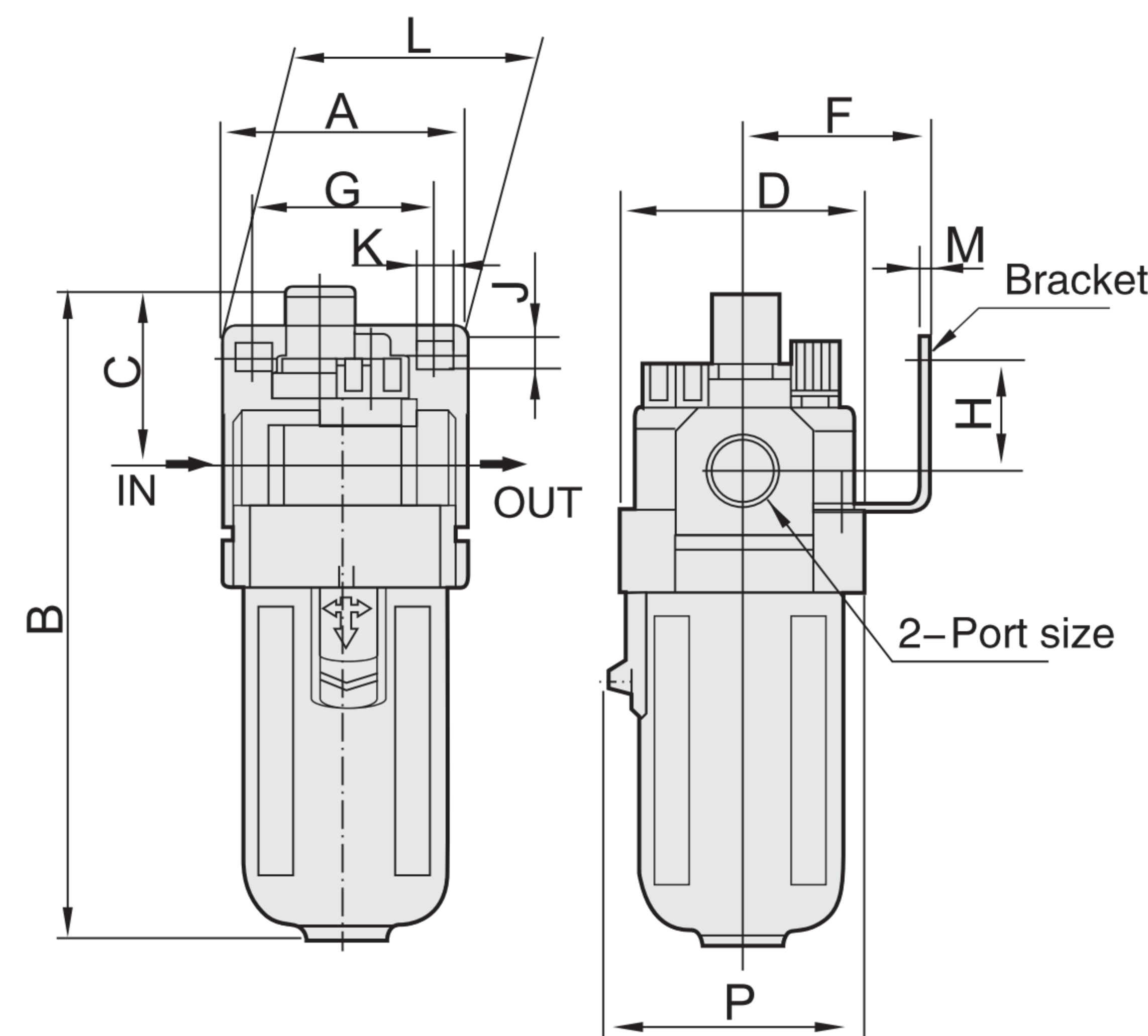
- * The above information is based on 6.3 Bar supply pressure,the flow of oil drop is 2-3 drops/min,the temperature of Turbine No.1 oil is 20° C
- * The above information is based on 6.3 Bar supply pressure and 1.0 Bar step down
- * NPT,PT port size is optional

Main Dimension

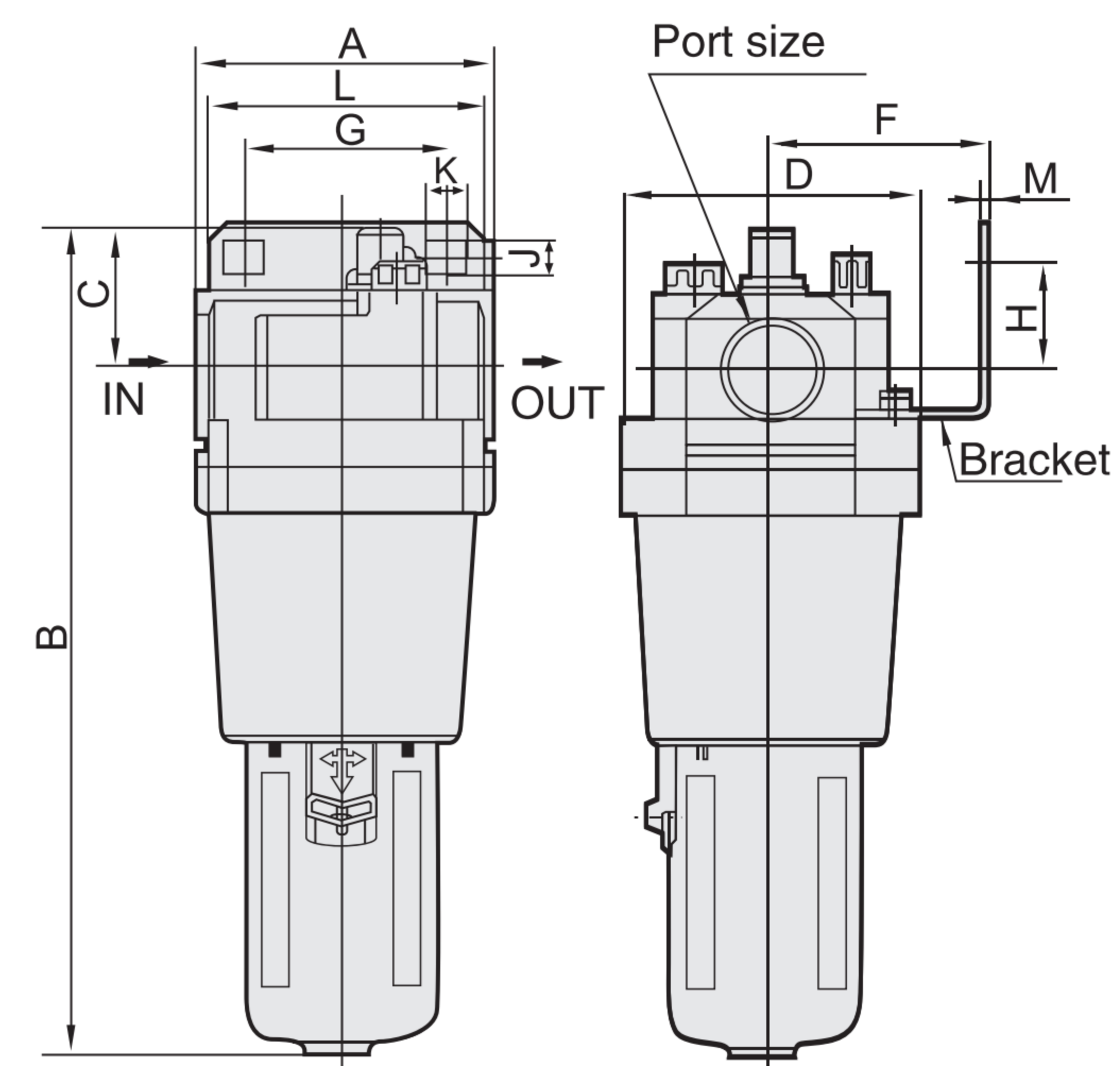
EL1000-EL2000



EL3000-EL4000



EL5000



Model	Port Size (G)	A	B	C	D	F	G	H	J	K	L	M	P
EL1000	M5	25	81.5	25.5	25	-	-	-	-	-	-	-	27
EL2000	1/8"-1/4"	40	115	37.5	40	31	19	14	17	6.8	40	2	40
EL3000	1/4"-3/8"	53	141	39	53	41	40	23	6.5	8	53	2	56
EL4000	3/8"-1/2"	70	175	40	70	53	54	26	8.5	10.5	70	2	73
EL4000-06	3/4"	75	177	39	70	50	54	26	8.5	10.5	70	2	73
EL5000	3/4"-1"	90	254	45.5	90	67	66	35	11	13	90	3	90