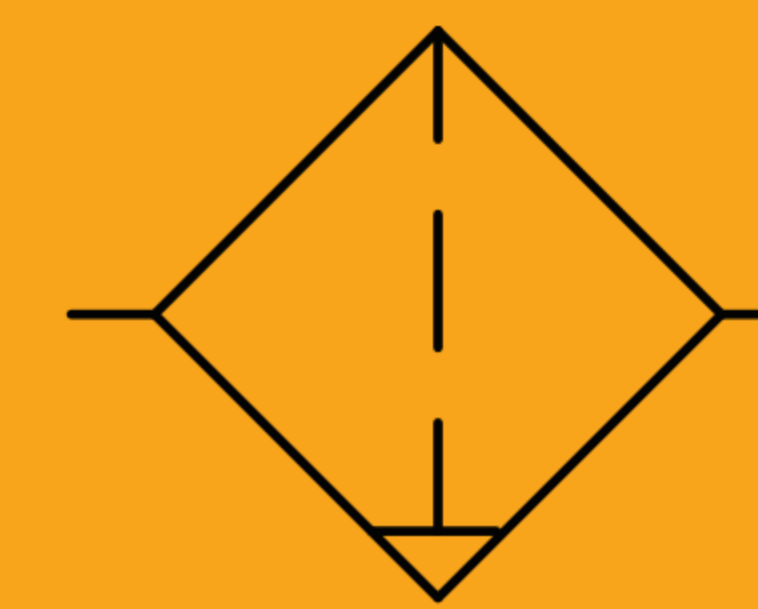


EAF2000 EAF3000 EAF4000 Filter



Specifications

Model	EAF2000-01	EAF2000-02	EAF3000-02	EAF3000-03	EAF3000-04	EAF4000-03	EAF4000-04	EAF4000-06
Working Medium	Clean Air(after 40 μ m filtration)							
Proof Pressure(MPa)	1.5							
Working Pressure Range(MPa)	0.15~1.0							
Working Temperature(°C)	-5~60 (No freezing)							
Filter Precision	40 μ m/5 μ m optional							
Container Material	Turbine No.1 Oil, ISO VG32							
Bowl Material	PC(Polycarbonate)							
Water Bowl Capacity(CC)	11		40				75	
Weight(g)	117		315				578	

How to Order?

Series No.	Port Size	Drain Type	Bracket Code	Filter Precision	Thread Type
EAF2000:EA2000 series filter	2000 01: 1/8"	Blank: Manual drain type C: Semi-anto drain D: Auto Drain type①	Blank: With bracket J: No bracket	Blank: 40 μ m 5M: 5 μ m	Blank: G P: PT T: NPT
EAF3000:EA3000 series filter	02: 1/4"				
EAF4000:EA4000 series filter	02: 1/4"				
	3000 03: 3/8"				
	04: 1/2"				
	03: 3/8"				
	4000 04: 1/2"				
	06: 3/4"				

Order Example:

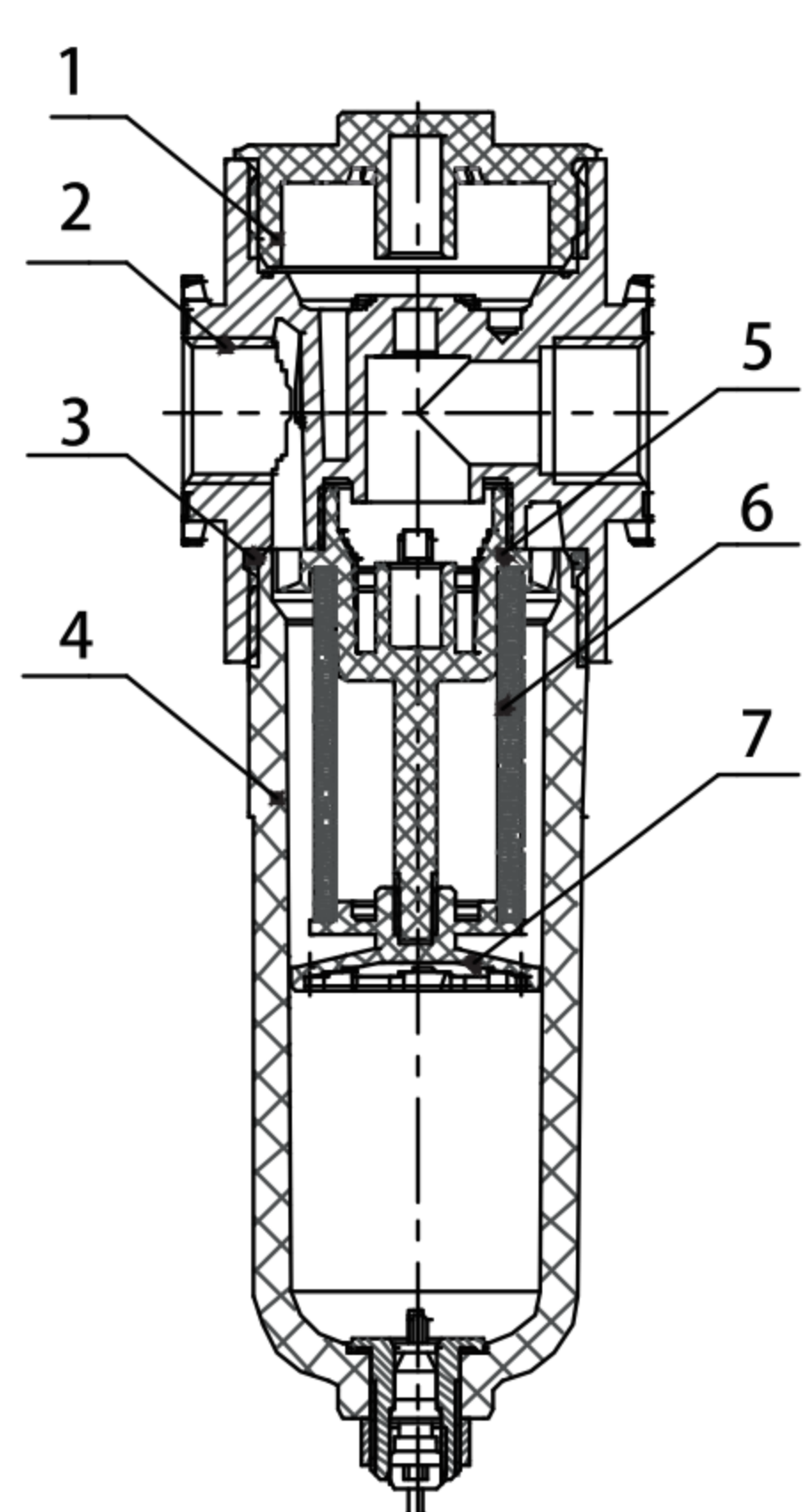
EA series Filter, port size of 1/2", differential pressure drain type, with bracket, filter precision 5 μ m, G thread, the ERP code is: EAF3000-04C5M

Remark: ①2000 series without automatic drainage type

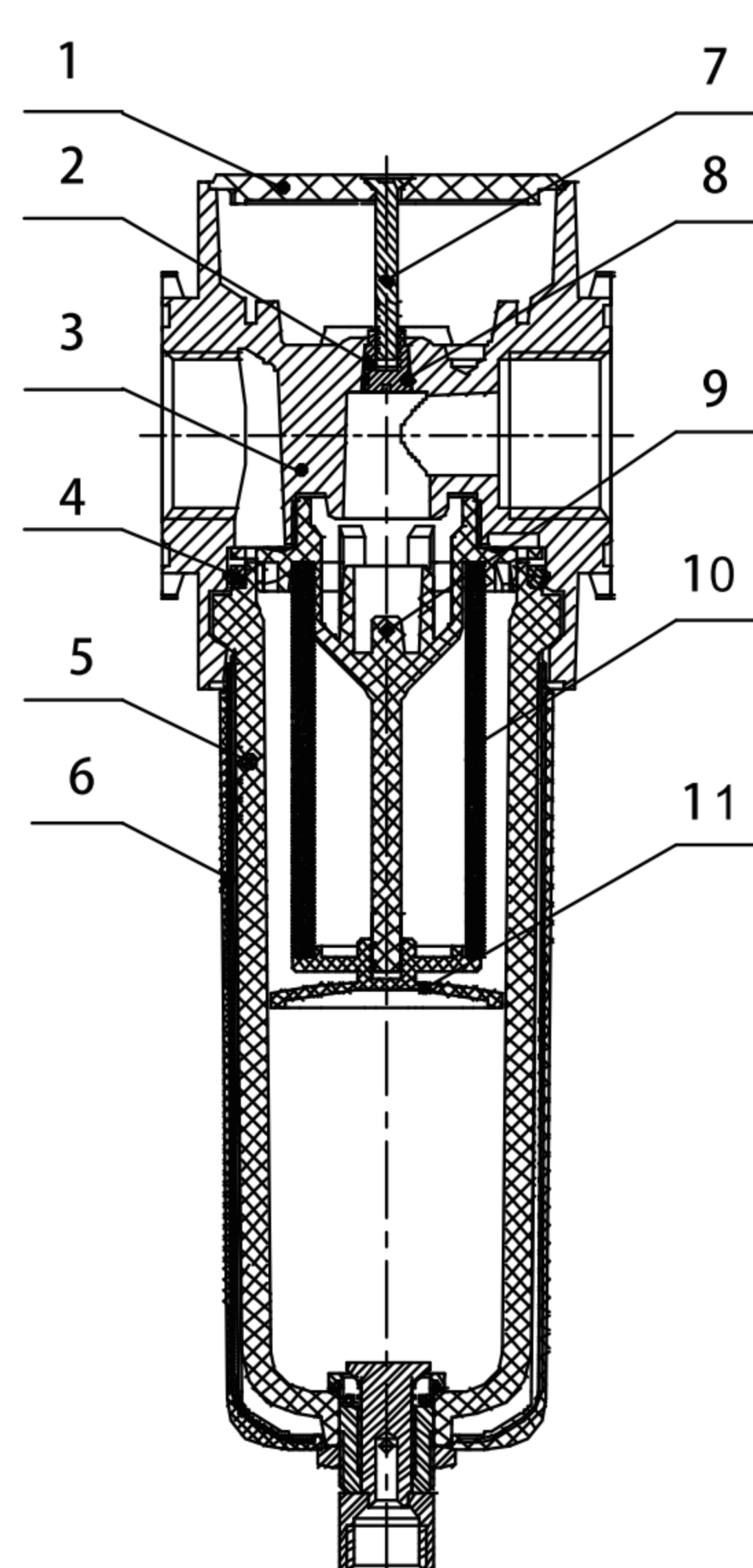
EAF Series Air Preparation Unit



Internal Structure



No.	Part Name	Material
1	Valve seat cover	Plastics
2	Valve body	Aluminum alloy
3	O-ring	NBR
4	Water bowl	Plastics
5	Water separator propeller	Plastics
6	Filter element	Plastics
7	Water baffle	Plastics

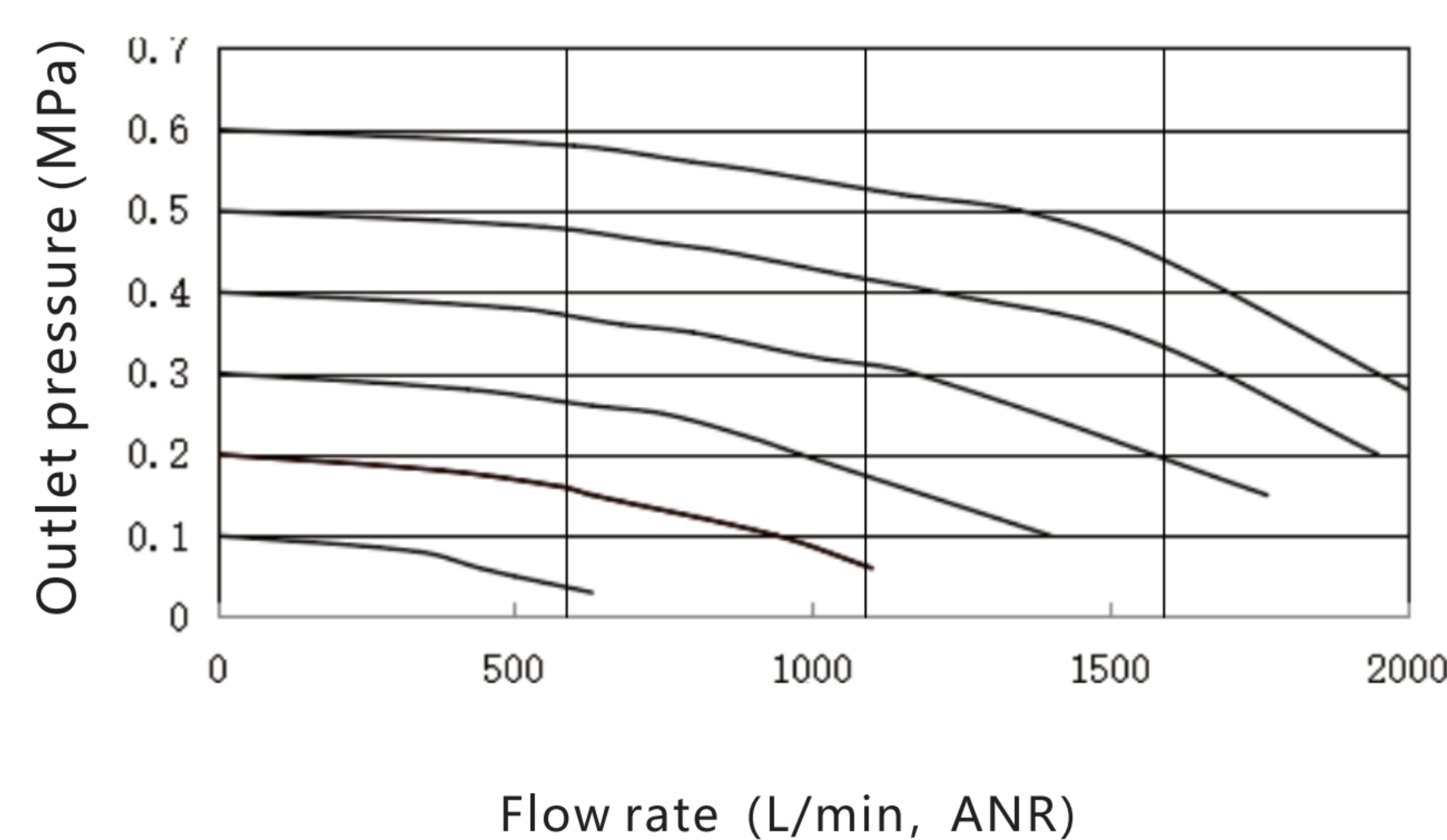


No.	Part Name	Material
1	Valve seat cover	Plastics
2	Seal Pillar	6061
3	Valve body	Aluminum alloy
4	Seal	NBR
5	Water bowl	Plastics
6	Protection Guard	Plastics
7	Screw	Mild steel
8	O-ring	NBR
9	Water separator propeller	Plastics
10	Filter element	Plastics
11	Water baffle	Plastics

Flow Chart

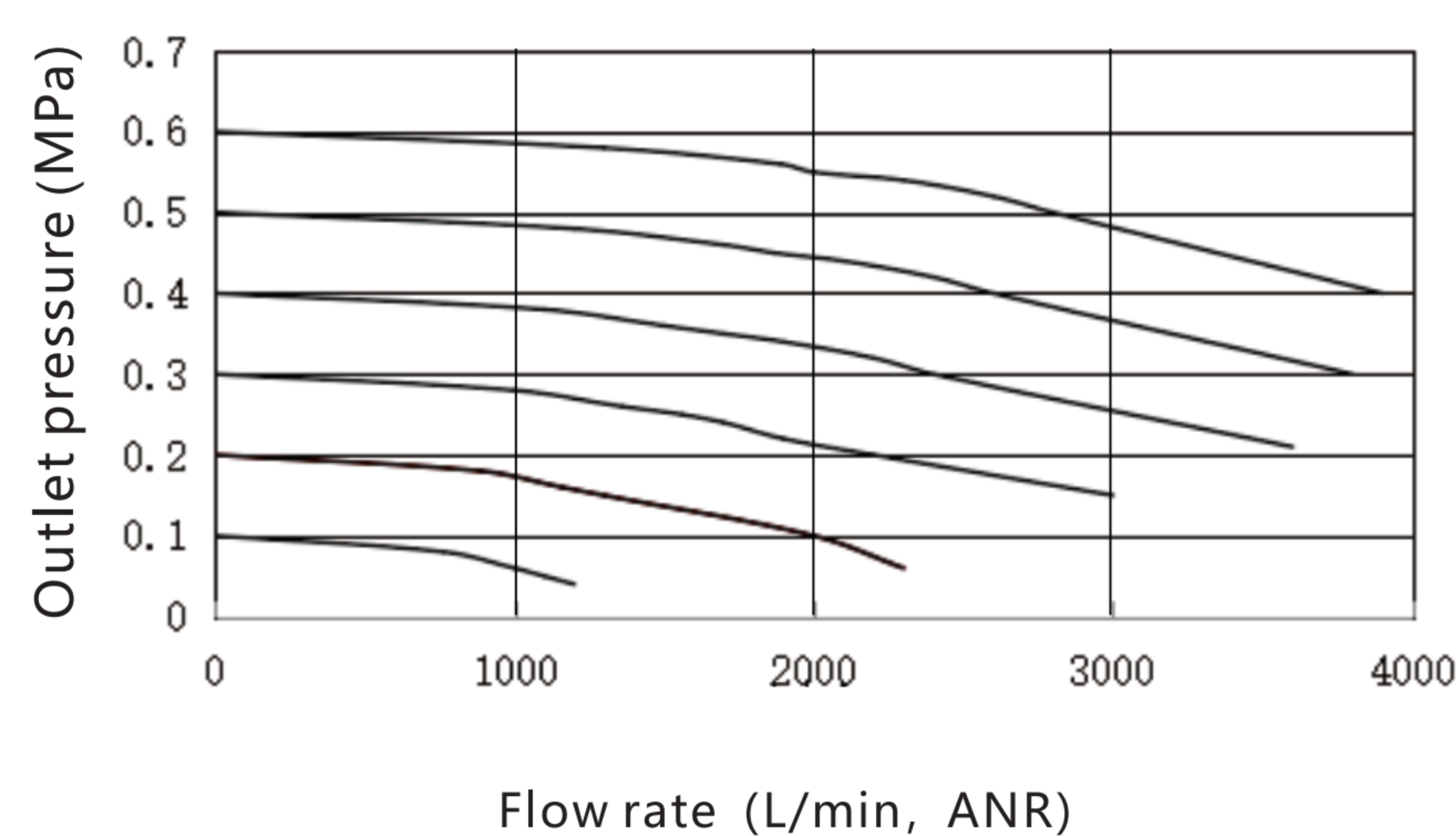
EAF2000

Flow chart(Inlet pressure 0.7Mpa)



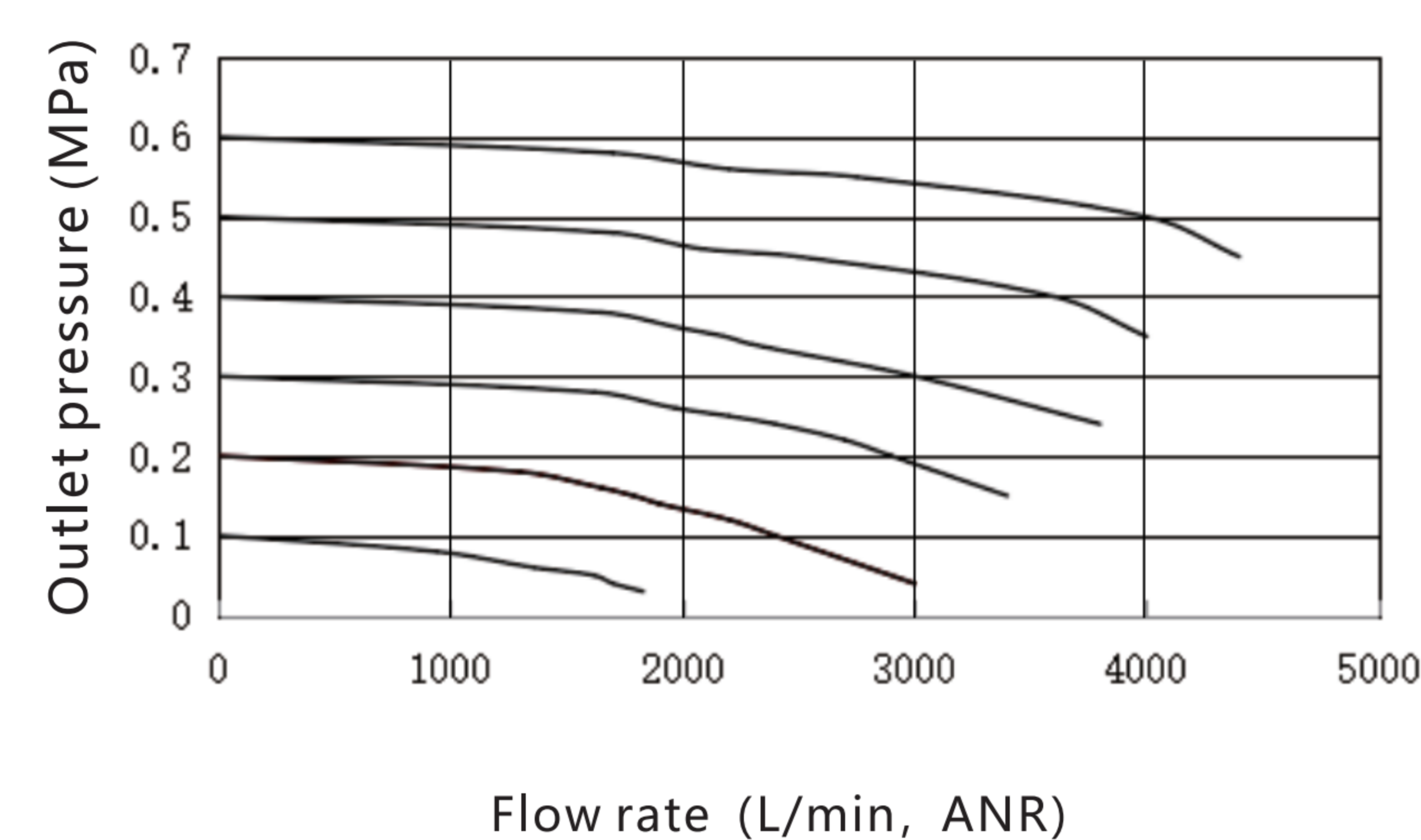
EAF3000

Flow chart(Inlet pressure 0.7Mpa)

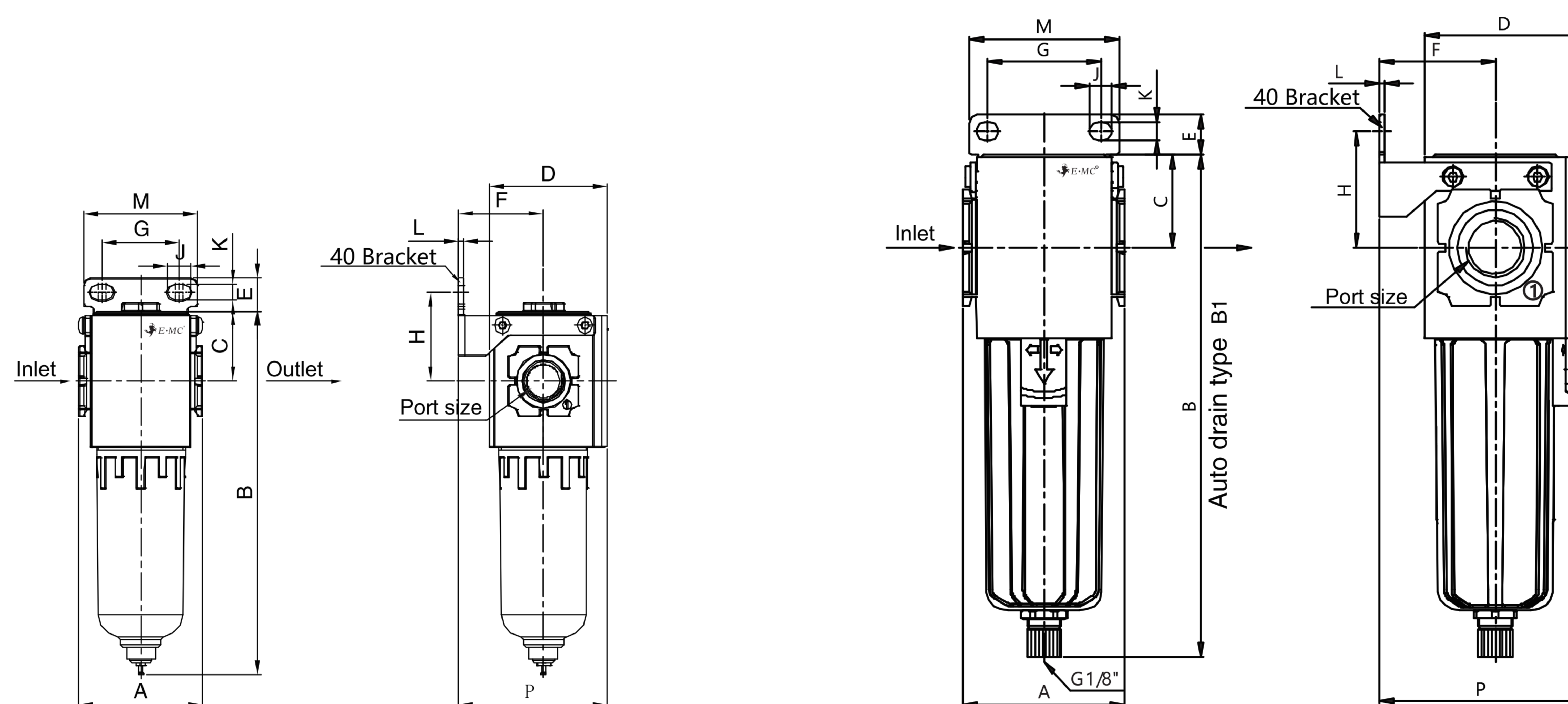


EAF4000

Flow chart(Inlet pressure 0.7Mpa)



Main Dimensions



Model	Port Size	A	B	B1	C	D	E	F	G	H	J	K	L	M	P
EAF2000	1/8", 1/4"	43	127.1	-	24.5	41	11.5	30	27	31	8.4	5.4	2	40	52
EAF3000	1/4", 3/8", 1/2"	57	176.5	173.5	33	58.2	14	41	40	41	8	6.5	2	53	72.4
EAF4000	3/8", 1/2", 3/4"	80	200.8	195.1	36	78.9	17	50	54	44	12	8.5	2.5	73	92.1