

2V

2/2 Solenoid Valve (N.C.)



2V025



2V130

Product Features

- * Normal close, brass body
- * Multiple seals are available for different medium
- * Sizes range from 1/8" to 1"
- * Direct acting/diaphragm pilot solenoid valve, with lower working pressure
- * To reduce the power consumption of 80% energy-saving

How to Order?

Series No.	Orifice	Port Size	ID Code	Voltage	Seal Material	Thread Type
2V	025: 2.5mm 130: 13mm 250: 25mm	06: 1/8" 08: 1/4" 10: 3/8" 15: 1/2" 20: 3/4" 25: 1"	Blank: Standard type N: Low power type	E1: AC110V E5: DC12V E2: AC220V E6: AC36V E3: AC380V E7: AC24V E4: DC24V	Blank: NBR E: EPDM V: VITON	Blank: G P: PT T: NPT

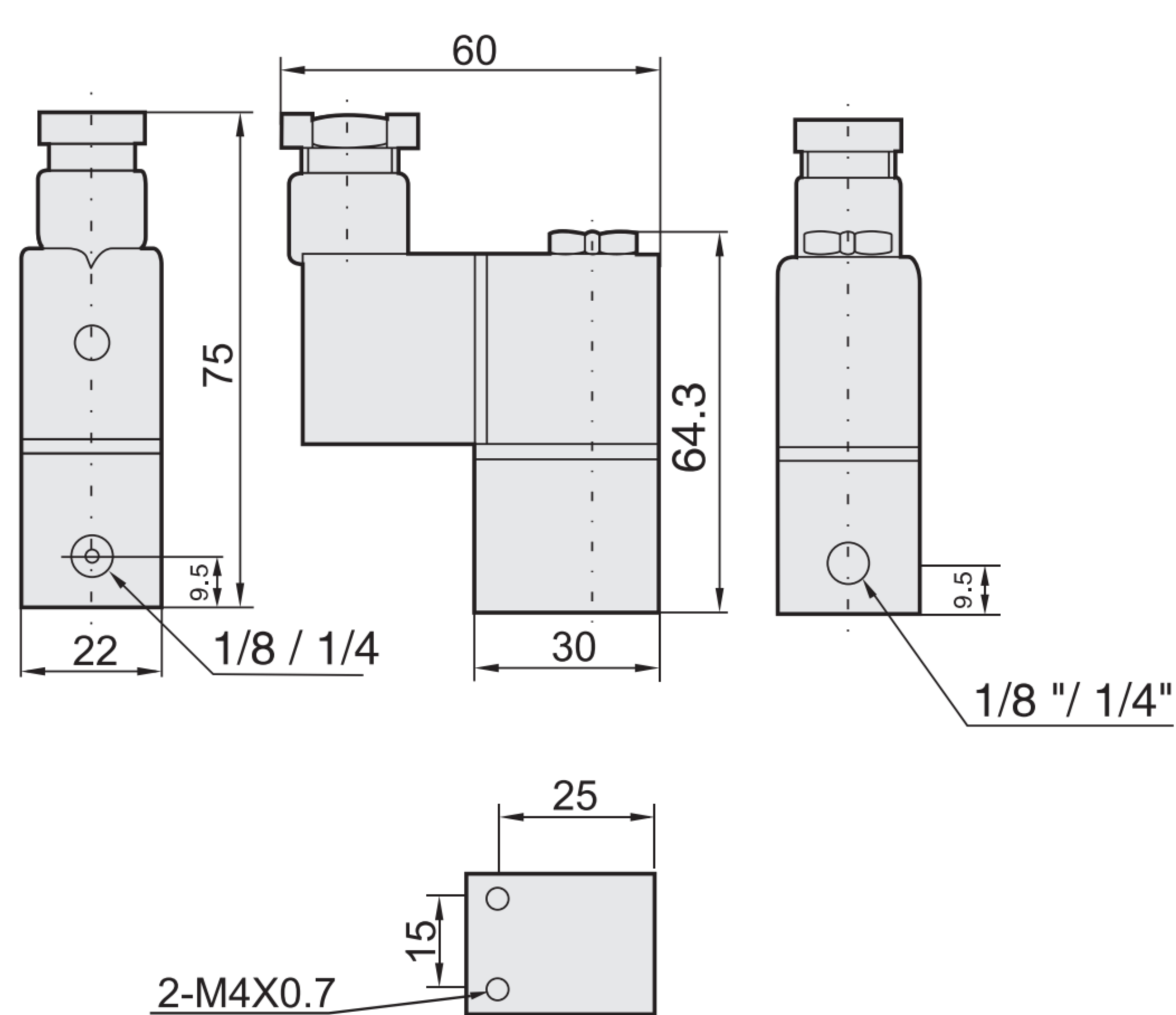
Order Example:

2V series solenoid valve, 13mm orifice, 1/2 port size, standard type, DC24V, EPDM seal, G thread, ERP code is: 2V130-15E4E

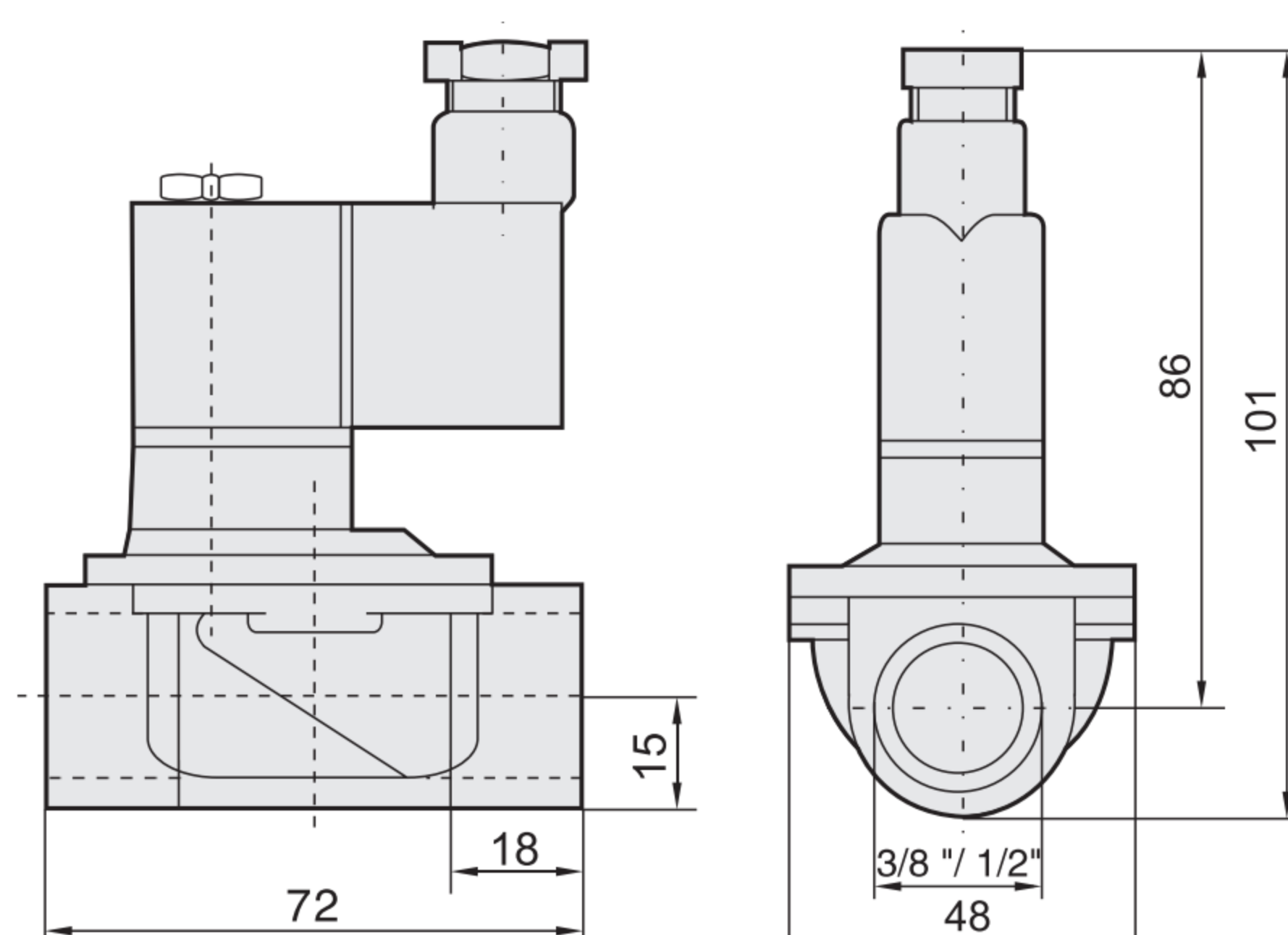
Note: Connection type is DIN connector.

Main Dimension

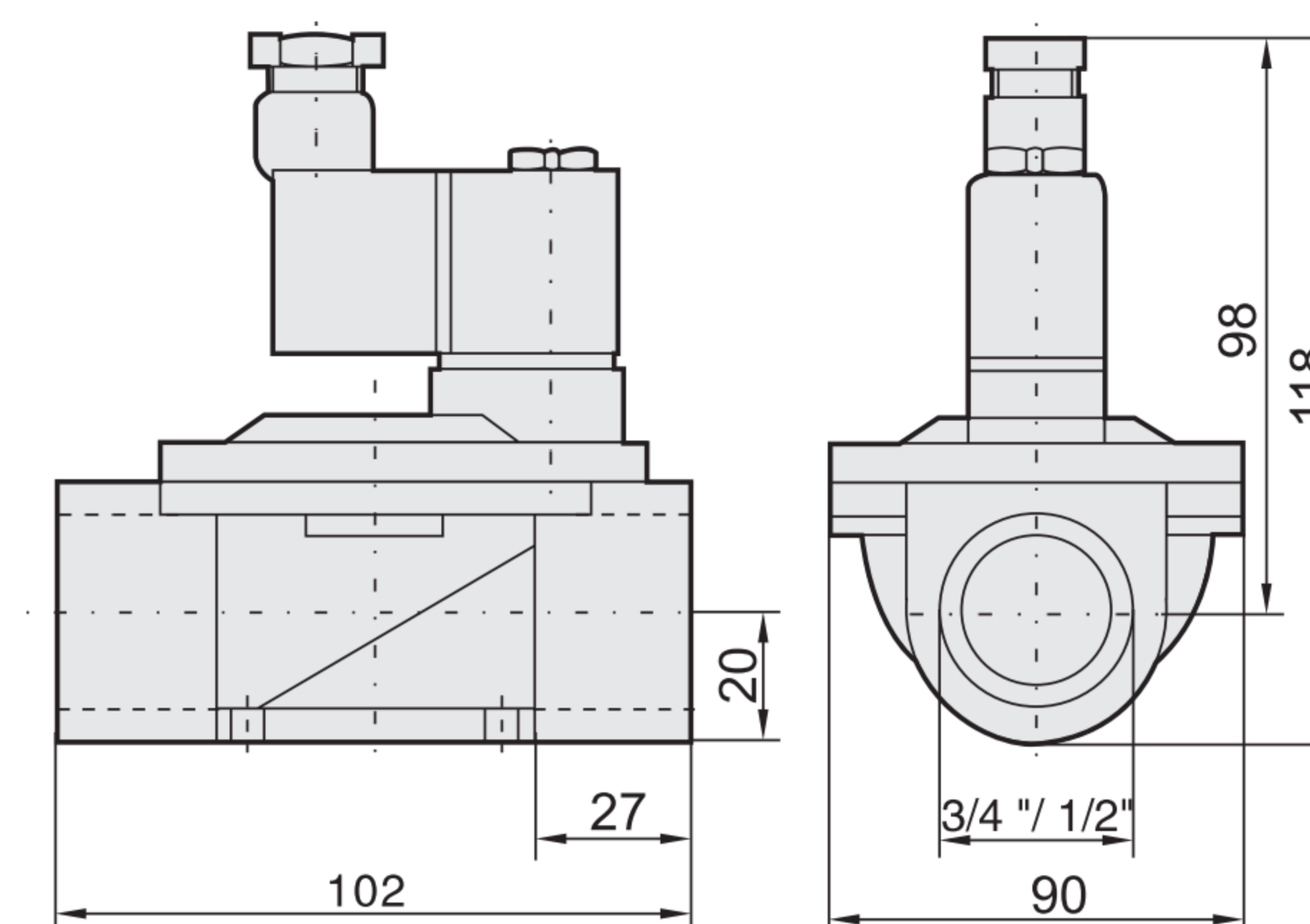
2V025



2V130



2V250



Specifications

Model	2V025-06	2V025-08	2V130-10	2V130-15	2V250-20	2V250-25
Working medium	Air, Water, Steam					
Acting type	Direct acting type, N.C.		Pilot type, N.C.			
Orifice(mm)	2.5		13		25	
Cv value	0.23		6		23	
Port size	1/8"	1/4"	3/8"	1/2"	3/4"	1"
Fluid viscosity	20 CST以下					
Working pressure(Bar)	Air, Water, Oil : 0~8		Air, Water, Oil : 0.5~7			
Guaranteed pressure (Bar)	12		11			
Working temperature (°C)	-5 ~ 80					
Voltage range	-15 ~ 10%					
Protect class	IP65					
Power consumption	AC:7VA DC:6.5W					
Insulation	Class F					
Valve body material	Brass					
Seal material	NBR or VITON		NBR			
Shortest activate time	0.05s / second					