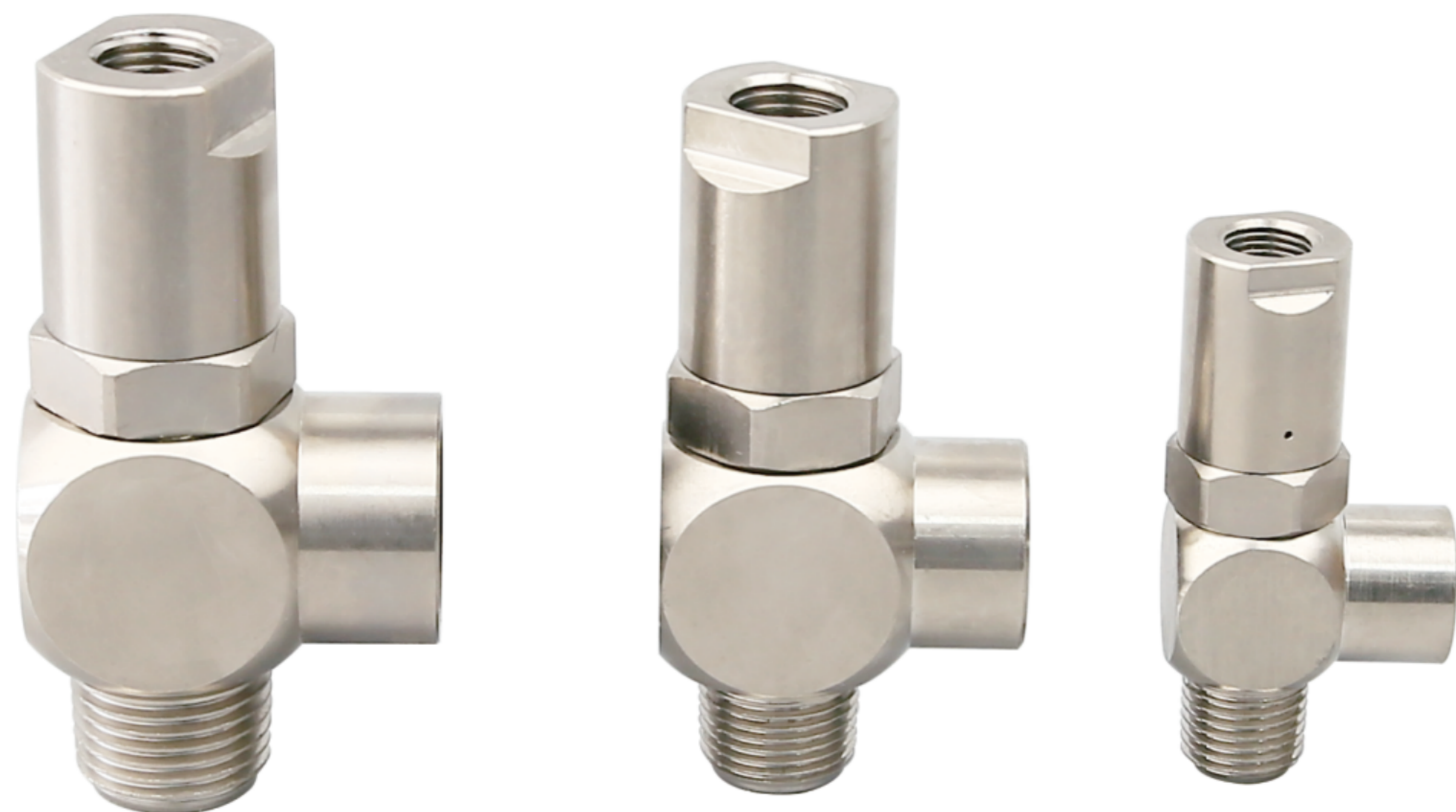
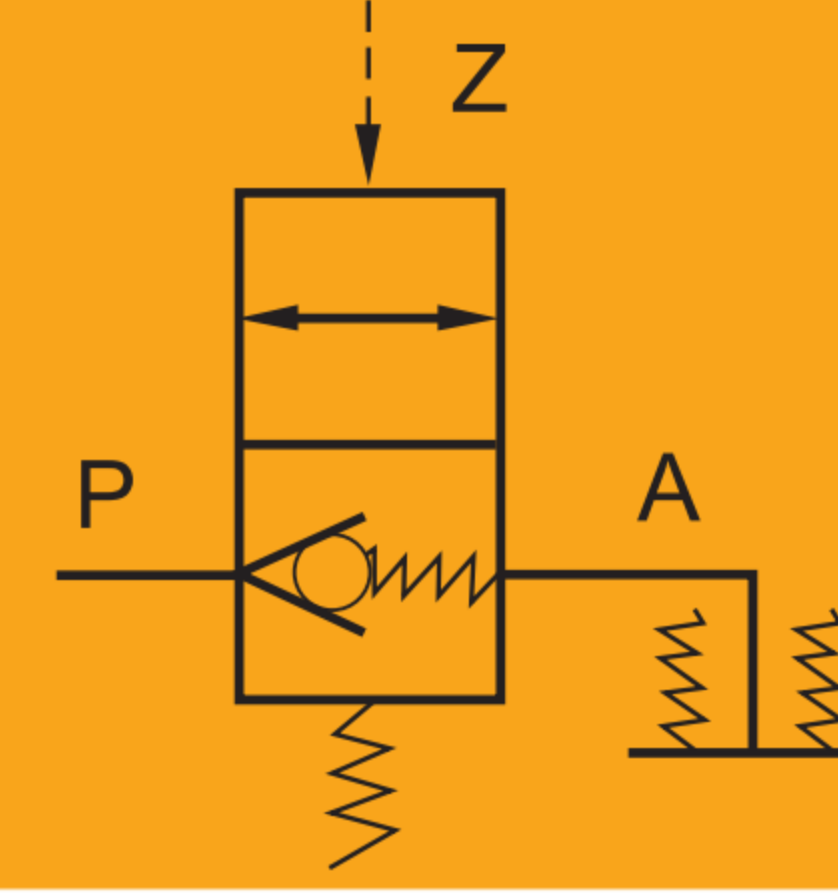


# QPC Series Pilot No-return Valve

## QPC

### Pilot No-return Valve



#### Product Features

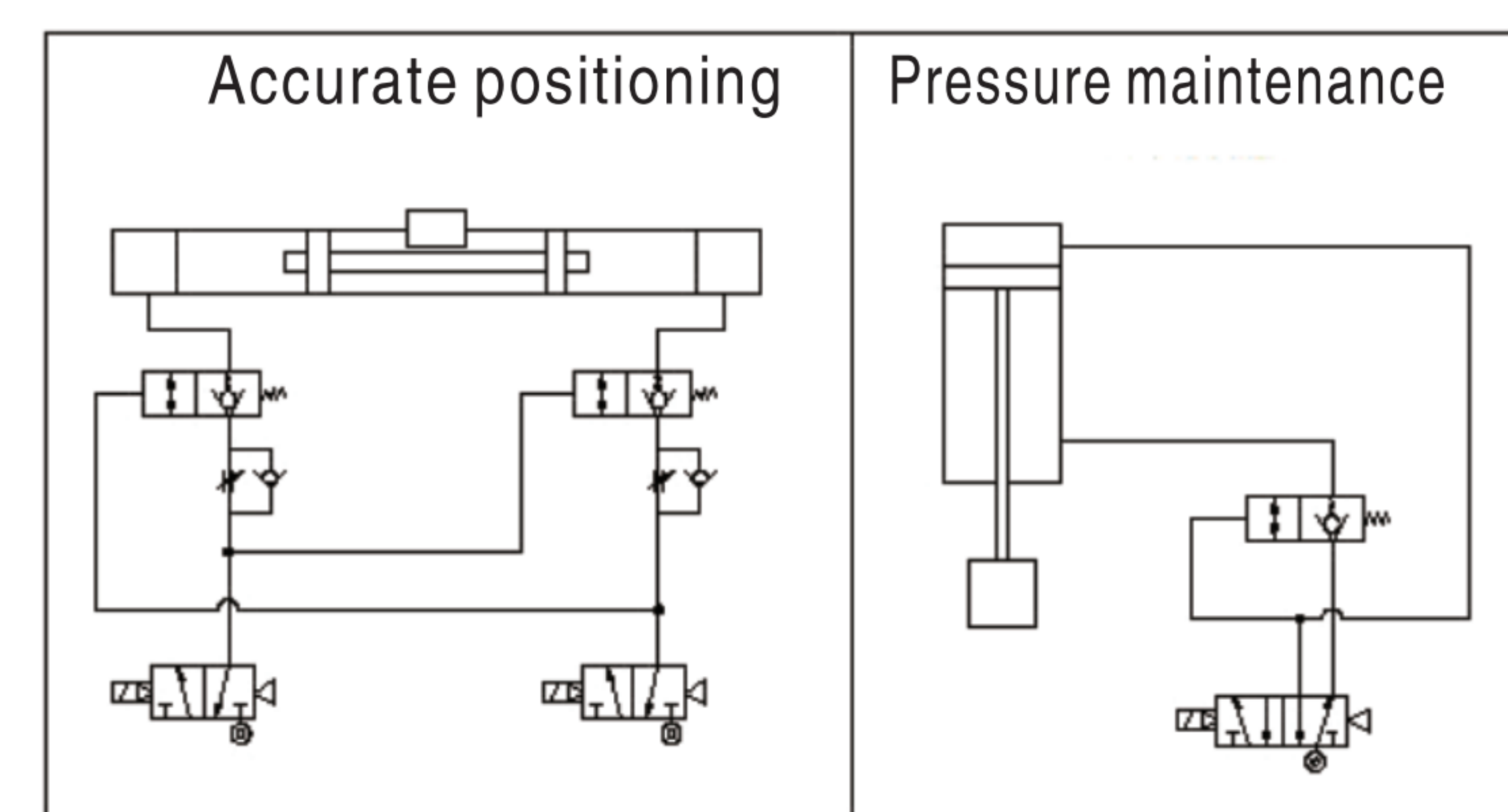
1. Can make cylinder momentary stop, accurate orientation;
2. Prevent cylinder moving after stopped;
3. Can be used for safety loop of pressure holding;
4. Can be used for special loop.

#### How to Order?

Series	Port Size
QPC	08: 1/4"
	10: 3/8"
	15: 1/2"

Order Example:

QPC series valve, 1/4" port size, ERP code is: QPC-08



#### Specifications

Model	QPC-08	QPC-10	QPC-15
Working medium	Clean air(After 40 μm filtration )		
Sectional ( mm )	24	79	79
Working pressure(MPa)	0.1~1.0		
Guaranteed pressure(MPa)	1.5		
Working temperture(°C)	-20~70		
Operating Frequency ( Times/min )	60	40	40
Valve material	Nickel plated brass	Aluminum alloy	Aluminum alloy
Port size	1/4"	3/8"	1/2"
Pilot Port Size	1/8"		

#### Main Dimension

