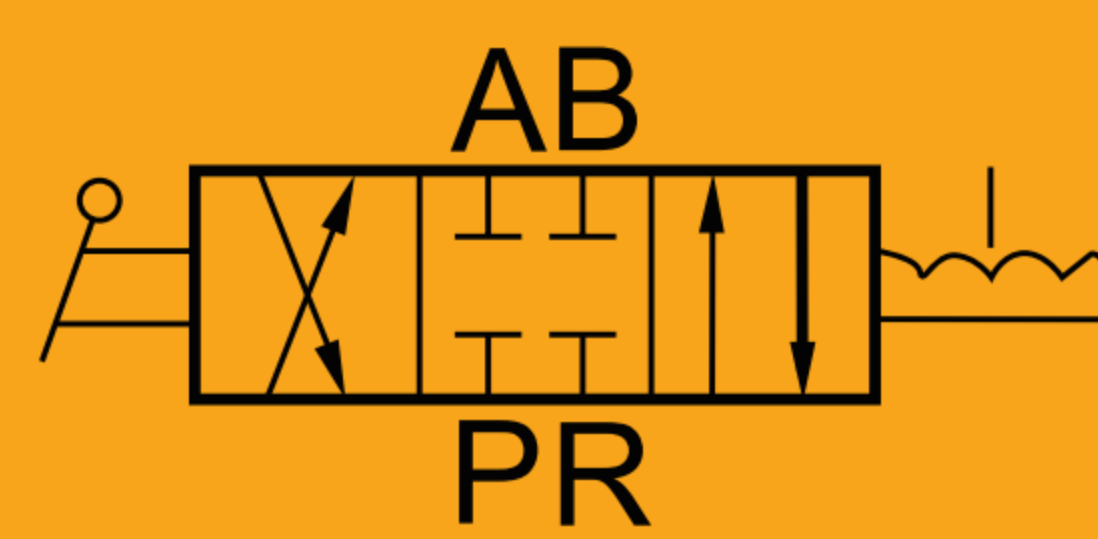


R Series Hand Switch Valve (4/3 way)



R

Hand Switch Valve □ 4/3 □



Specifications

Model	M432	U432	R432	MR432
Working medium	Clean air(After 40 μm filtration)			
Acting type	External control			
Lubrication	Not required			
Working pressure (MPa)	0~1.0			
Guaranteed pressure (MPa)	1.5			
Working temperature (°C)	-5~60			
Port size	1/4 " , 3/8 " , 1/2 "			

* Note:R432 series also have "bottom thread" type

How to Order?

Series No.	Ways	Positions	Valve Body Size	Port Size	Thread Type
M: M series U: U series R: R series MR: MR series	4: 4 ways	3: Three position	2:2 series	M432/U432: 08: 1/4 " R432/MR432: 08: 1/4 " 10: 3/8 " 15: 1/2 "	Blank: G P: PT T: NPT

Order Example:

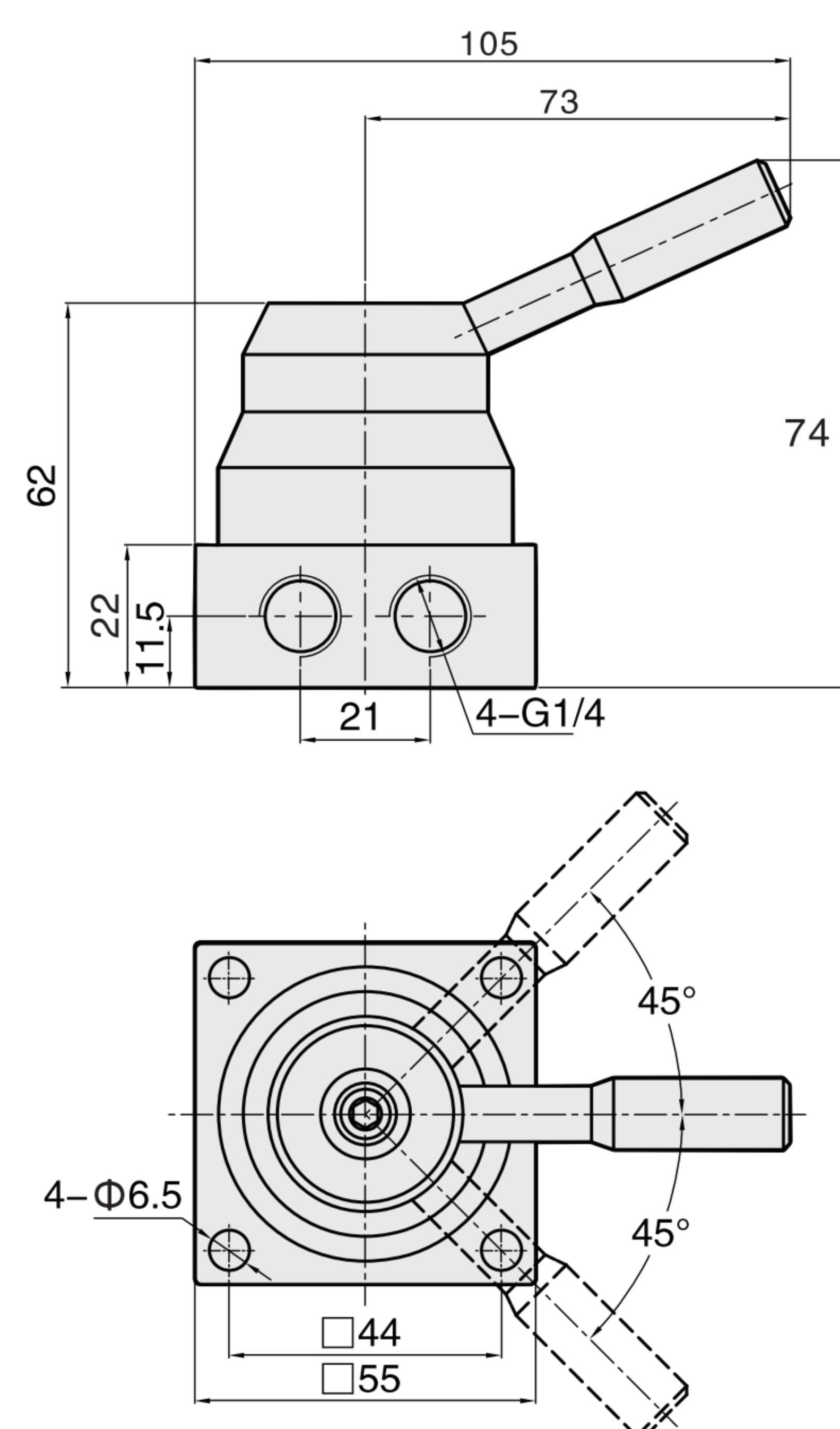
R series hand switch valve, 4/3 way, 2 series valve body, G thread, ERP code is: R432-08

Product Features

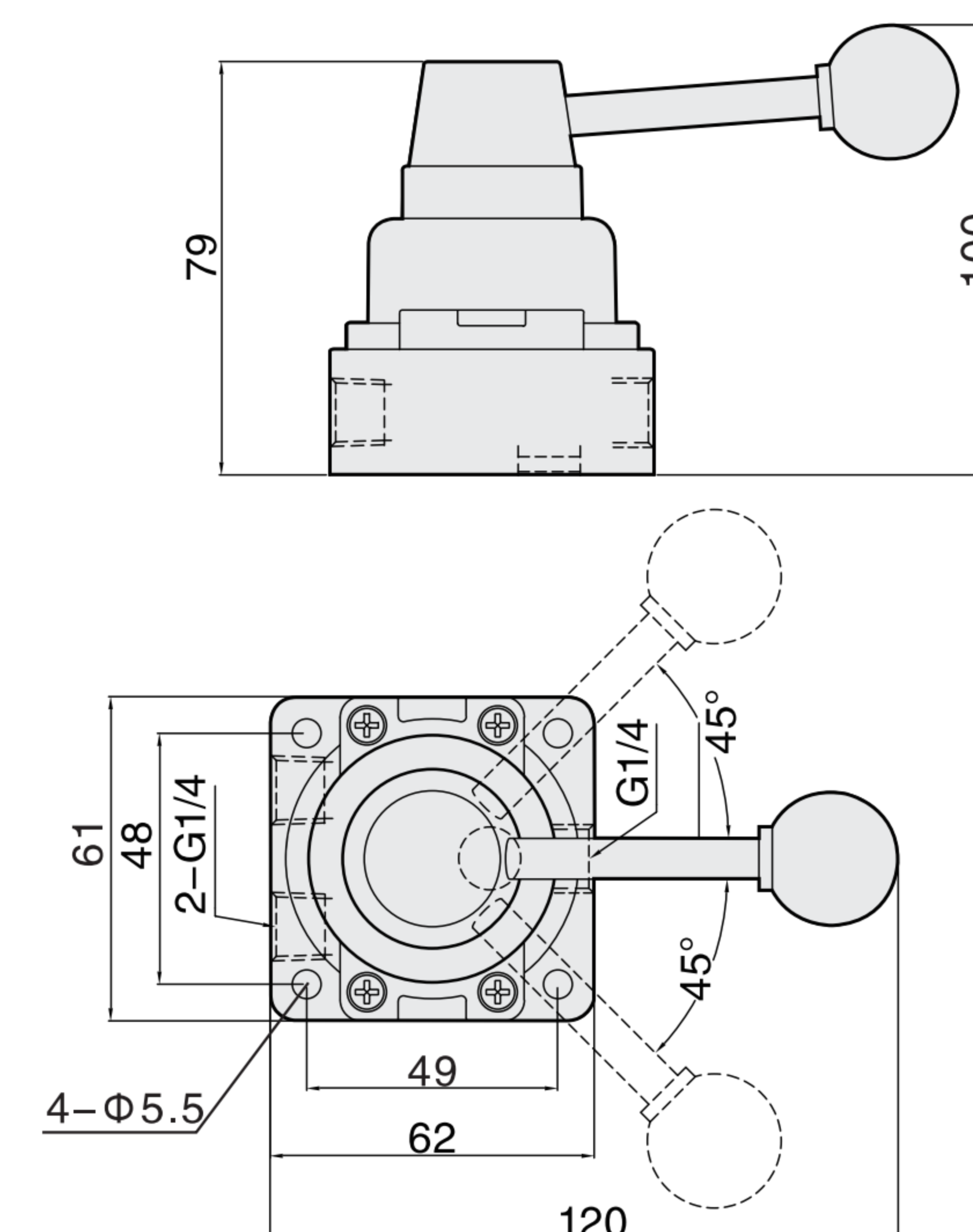
- * Different types are available
- * MR series valve is the valve with longer lifetime and the better performance
- * Sizes are from 1/4" to 1/2"

Main Dimension

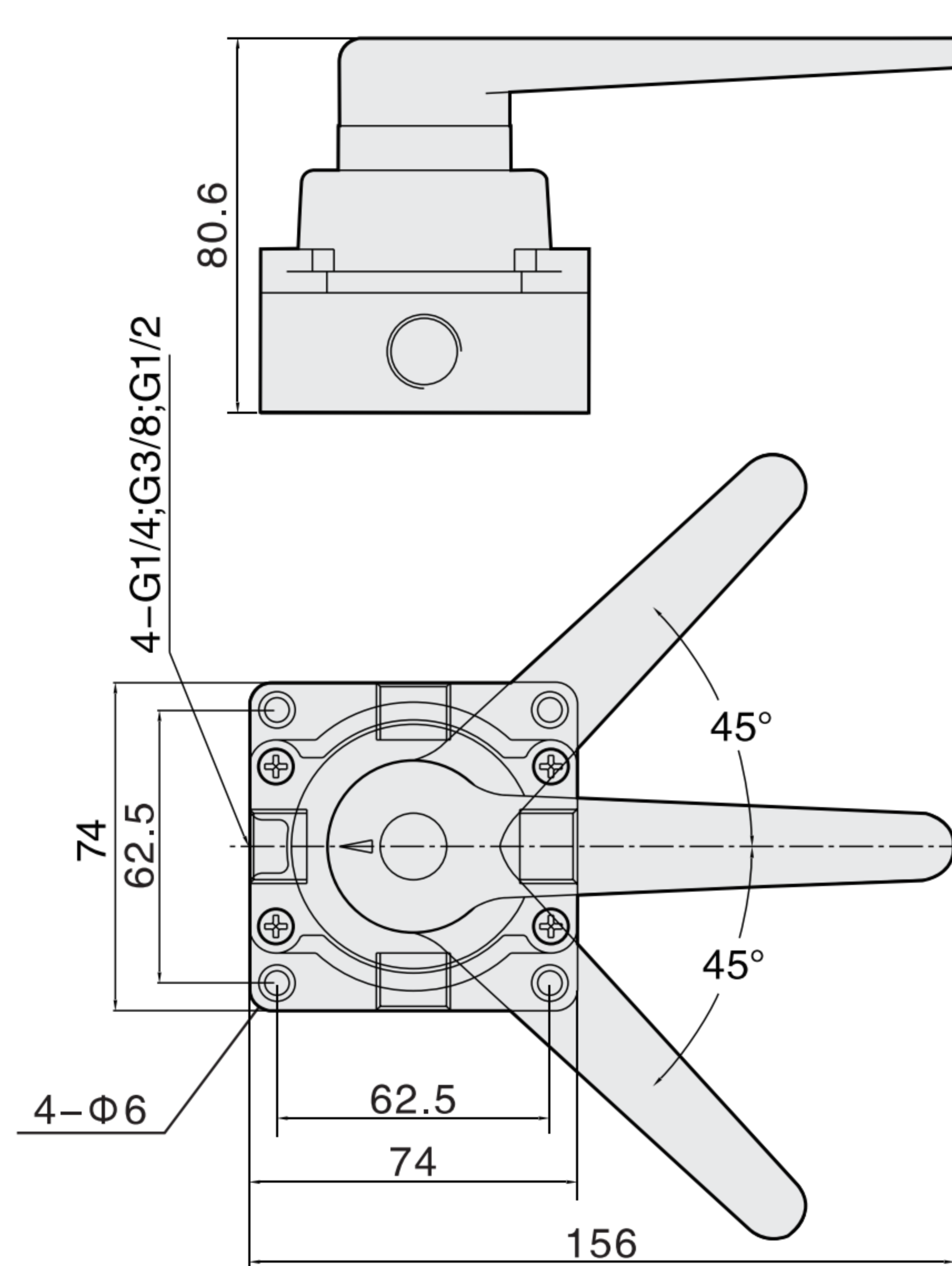
M432-08



U432-08



R432-08/10/15



MR432-08/10/15

