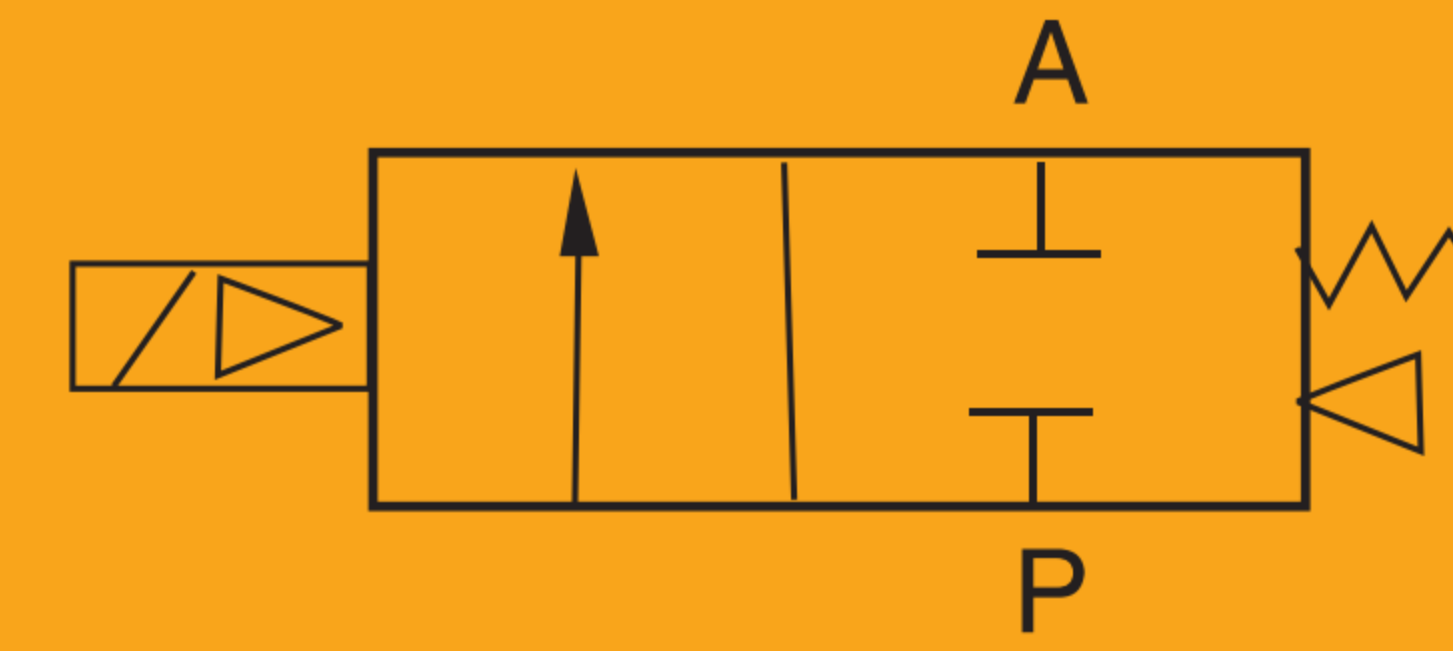


SLP

2/2 Solenoid Valve (N.C.)



SLP



SLP-S1



SLPF-S1

Product Features

- * Normal close, available body: brass, SS316
- * Multiple seals are available for different medium
- * Wide size range from 1/8" to 2" , with both thread and flange connection
- * Diaphragm pilot solenoid valve, with lower working pressure
- * To reduce the power consumption of 80% energy-saving

How to Order?

Series No.	Port Size	Original Status—	Orifice	ID Code	Voltage	Valve Body Material	Seal Material	Thread Type
SLP: Thread connection SLPF: Flange connection		Blank: NC H: NO		Blank: Standard type N: Low power type		Blank: Brass S1: SS316	Blank: NBR E: EPDM V: VITON	Blank: G P: PT T: NPT
	06: 1/8"		025: 2.5mm	105: 10.5mm	E1: AC110V	E6: AC36V		
	08: 1/4"		030: 3mm	130: 13mm	E2: AC220V	E7: AC24V		
	10: 3/8"		030: 3mm	130: 13mm	E3: AC380V	E9: DC48V		
	15: 1/2"		040: 4mm		E4: DC24V	E10: DC36V		
	20: 3/4"		105: 10.5mm	130: 13mm	E5: DC12V			
	25: 1"		200: 20mm					
	32: 1-1/4"		250: 25mm					
	40: 1-1/2"		350: 35mm					
	50: 2"		400: 40mm					
			500: 50mm					

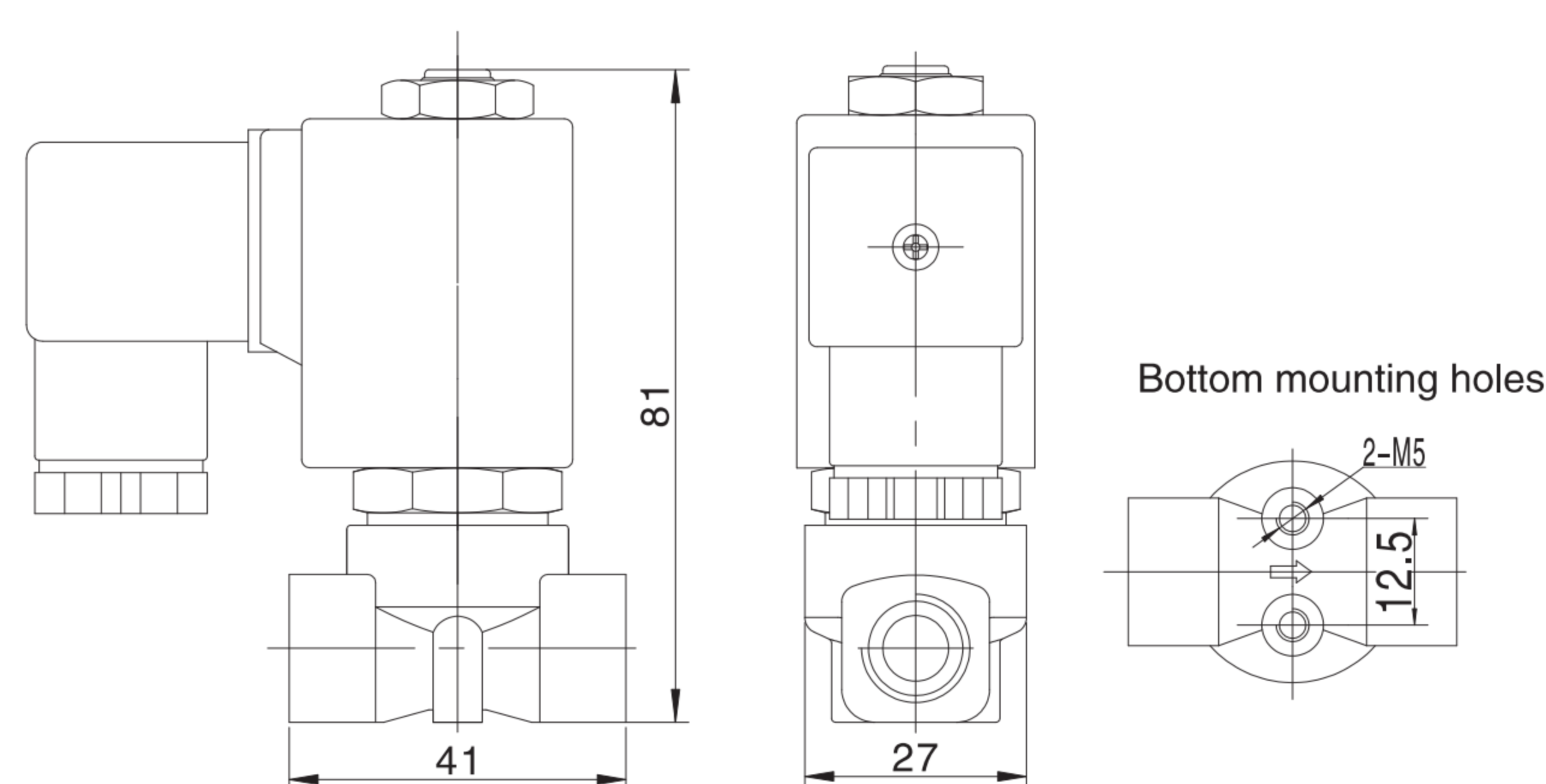
(Note: cancel if same with port size)

Order Example:

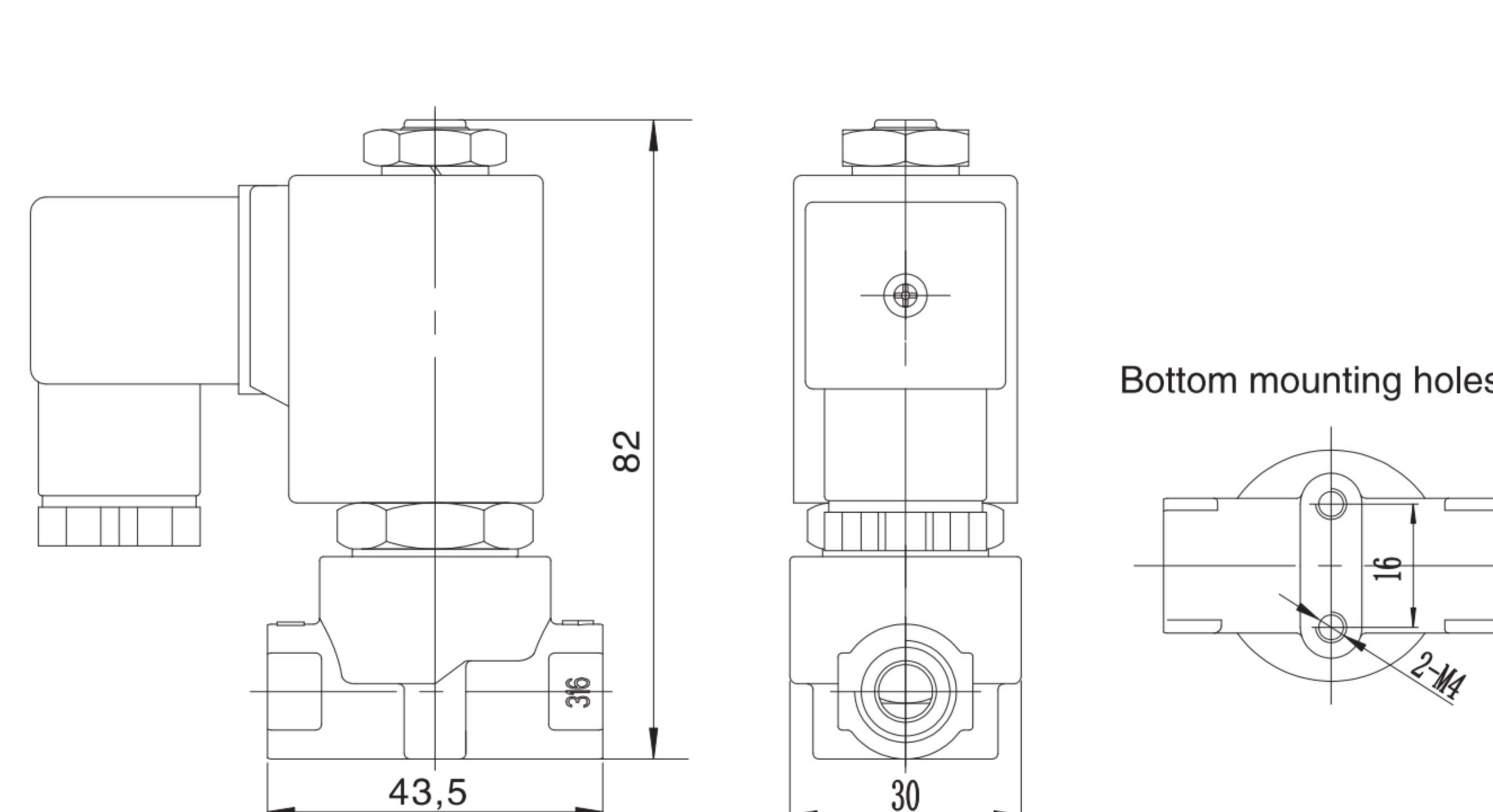
SLP series solenoid valve, 1/2 port size, NC, 13mm orifice, standard type, AC110V, Brass valve body, NBR seal, G thread, ERP code is: SLP15-130E1

Main Dimension

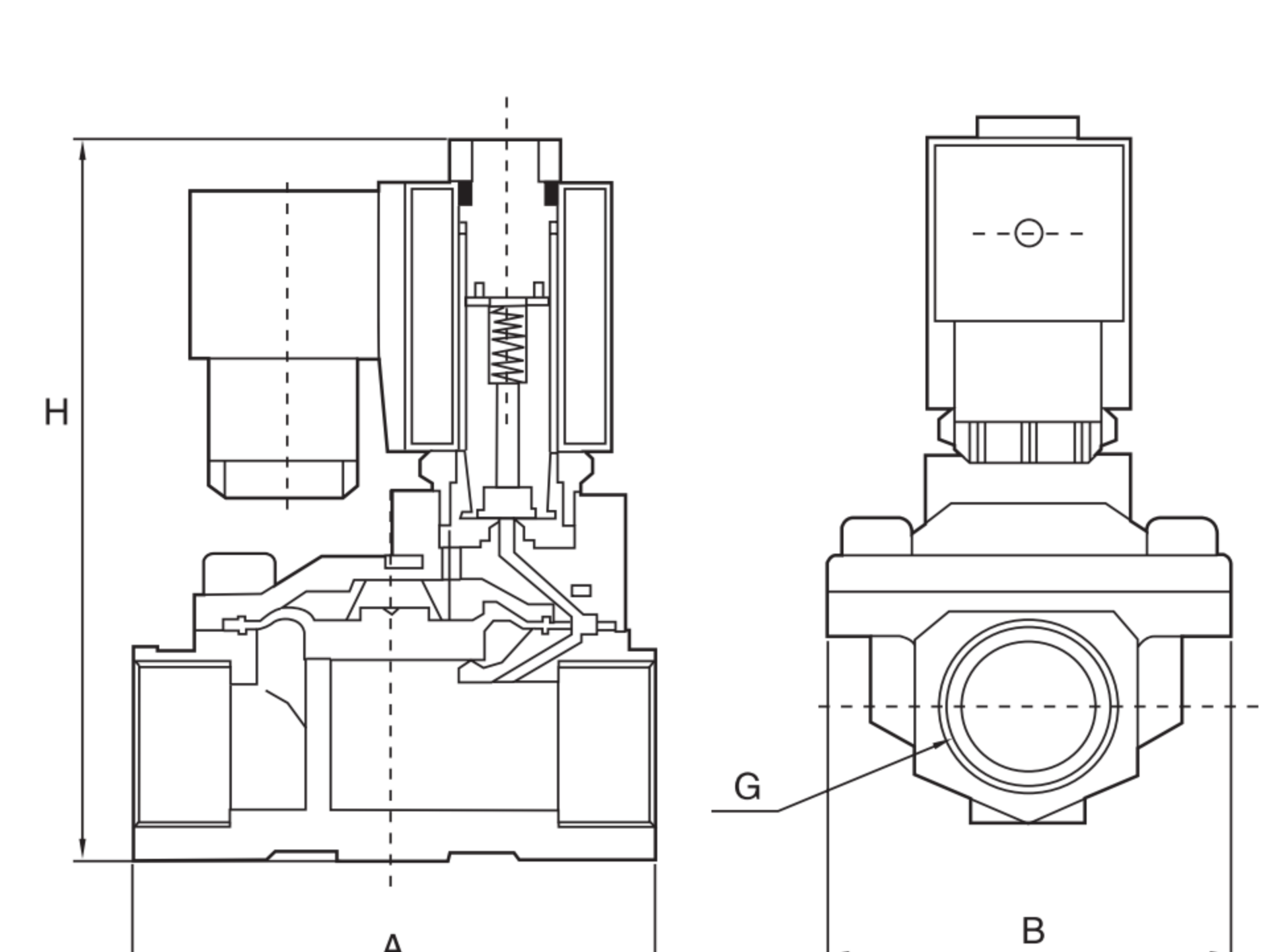
Φ2.5mm、Φ3mm、Φ4mm, 1/8"、1/4"



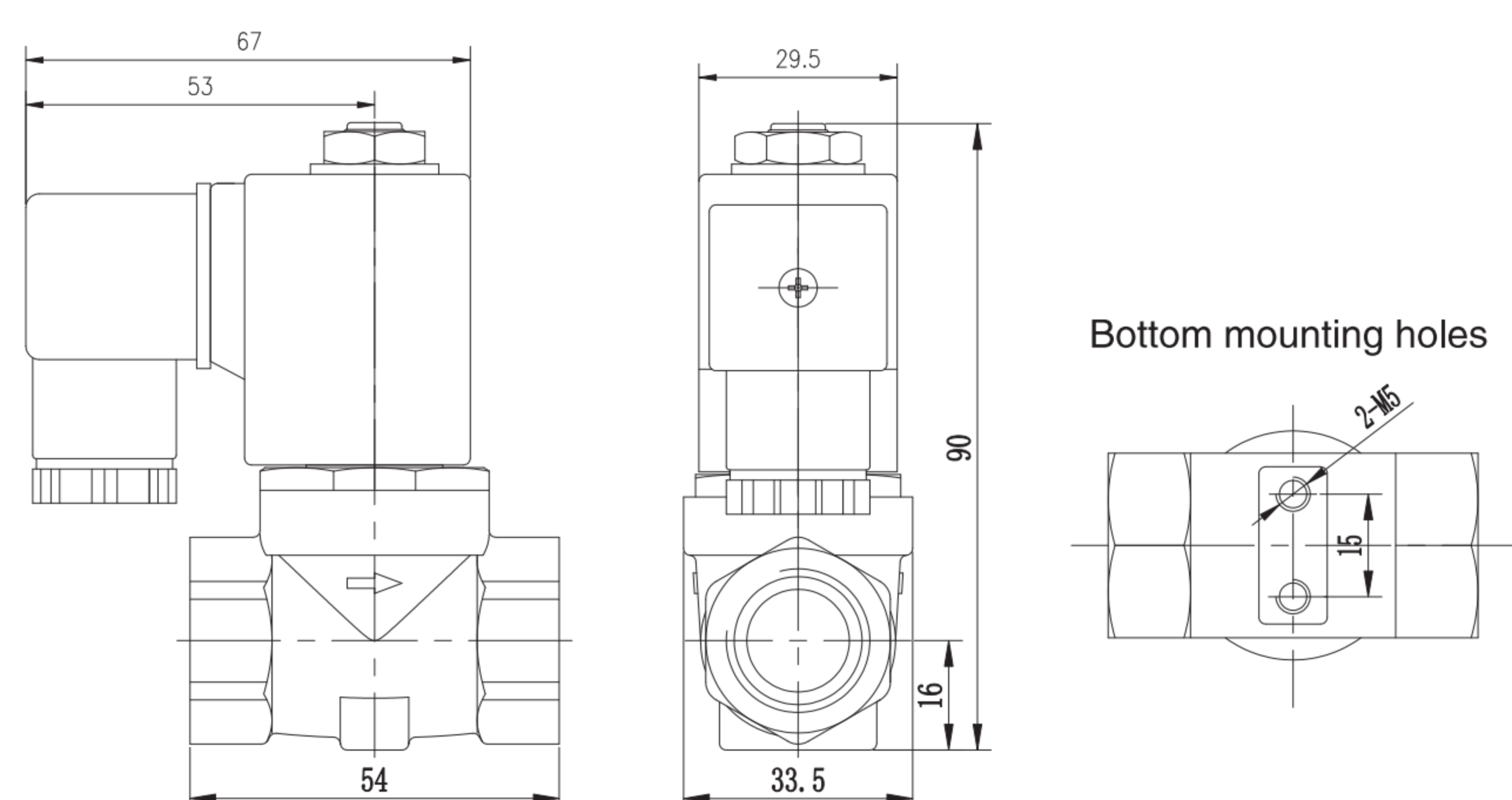
Φ5mm、Φ6mm, 1/4"



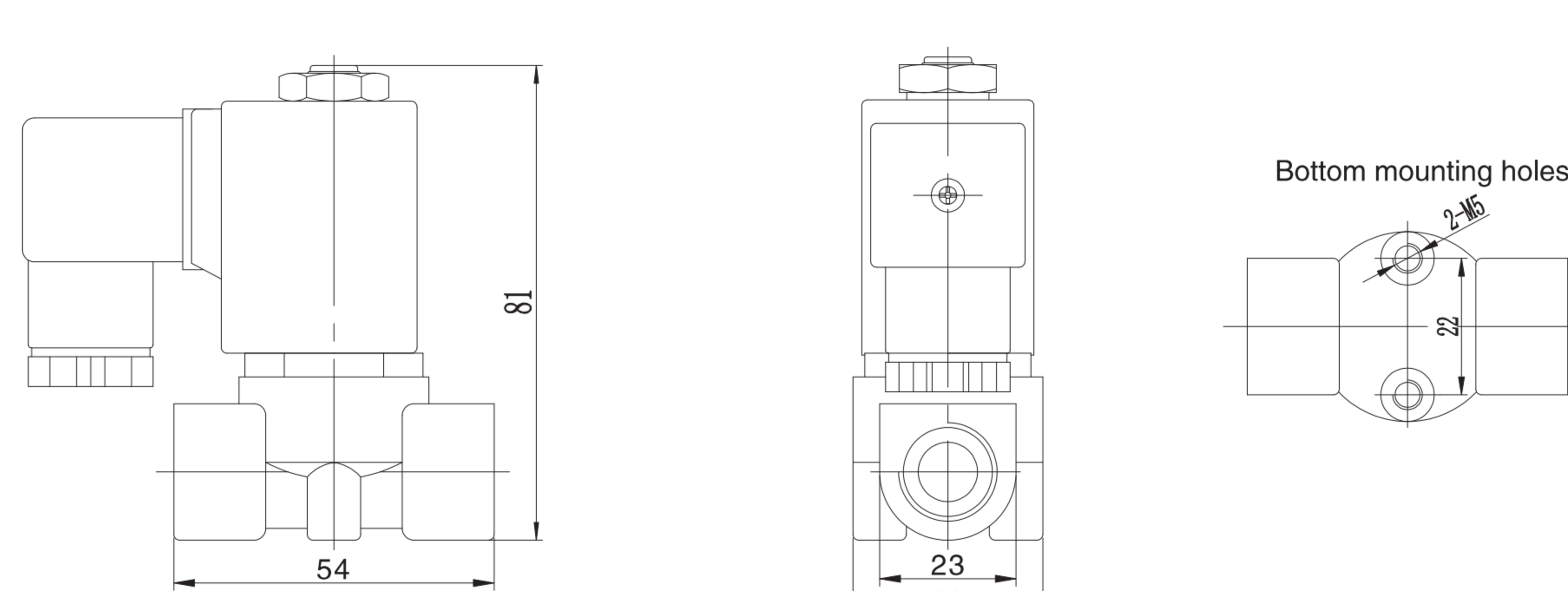
Large diameter



Φ10.5mm, 1/4"、3/8"、1/2"



Φ4mm、Φ6mm, 3/8"



SLP Series 2/2 Solenoid Valve(Normal Close)



Specifications

Port size (G)	Orifice (mm)	CV value	Pressure difference (Bar)				Max. temperature (°C)	Power		Order code		Main dimension Length x Width x Height AxBxH(mm)
			Min. pressure	Max. working pressure				AC 220	DC 24V	220VAC 50/60Hz		
				Air, Gas	Water, Hot water, Liquid	Light oil ≤20CST				Brass	Stainless steel	
1/8"	3	0.23	0	13	13	10	80	22	13	SLP06-030E2	SLP06-030E2S1	
	3	0.23	0	13	13	-	130	22	13	SLP06-030E2E	SLP06-030E2S1E	
	3	0.23	0	13	13	10	120	22	13	SLP06-030E2V	SLP06-030E2S1V	
1/4"	3	0.23	0	13	13	10	80	22	13	SLP08-030E2	SLP08-030E2S1	
	3	0.23	0	13	13	-	130	22	13	SLP08-030E2E	SLP08-030E2S1E	
	3	0.23	0	13	13	10	120	22	13	SLP08-030E2V	SLP08-030E2S1V	
	10.5	1.47	0	10	10	10	80	22	13	SLP08-105E2	---	
	10.5	1.47	0	10	10	-	130	22	13	SLP08-105E2E	---	
3/8"	3	0.3	0	13	13	10	80	22	13	SLP10-030E2	SLP10-030E2S1	
	3	0.3	0	13	13	10	130	22	13	SLP10-030E2E	SLP10-030E2S1E	
	3	0.3	0	13	13	10	120	22	13	SLP10-030E2V	SLP10-030E2S1V	
	4	0.6	0	8	8	6	80	22	13	SLP10-040E2	SLP10-040E2S1	
	4	0.6	0	8	8	6	130	22	13	SLP10-040E2E	SLP10-040E2S1E	
	4	0.6	0	8	8	6	120	22	13	SLP10-040E2V	SLP10-040E2S1V	
	10.5	1.68	0	10	10	10	80	22	13	SLP10-105E2	---	
	10.5	1.68	0	10	10	-	130	22	13	SLP10-105E2E	---	
	10.5	1.68	0	10	10	10	120	22	13	SLP10-105E2V	---	
	13	4.5	0.5	16	16	13	80	22	13	SLP10-130E2	SLP10-130E2S1	66 x 48 x 112
1/2"	10.5	1.75	0	10	10	10	80	22	13	SLP15-105E2	---	
	10.5	1.75	0	10	10	-	130	22	13	SLP15-105E2E	---	
	10.5	1.75	0	10	10	10	120	22	13	SLP15-105E2V	---	
	13	4.5	0.5	16	16	13	80	22	13	SLP15-130E2	SLP15-130E2S1	66 x 48 x 112
	13	4.5	0.5	16	16	13	130	22	13	SLP15-130E2E	SLP15-130E2S1E	66 x 48 x 112
3/4"	20	7.6	0.5	16	16	13	80	22	13	SLP20E2	SLP20E2S1	75 x 58 x 118
	20	7.6	0.5	16	16	13	130	22	13	SLP20E2E	SLP20E2S1E	75 x 58 x 118
	20	7.6	0.5	16	16	13	120	22	13	SLP20E2V	SLP20E2S1V	75 x 58 x 118
1"	25	12	0.5	16	16	13	80	22	13	SLP25E2	SLP25E2S1	96 x 70 x 131
	25	12	0.5	16	16	13	130	22	13	SLP25E2E	SLP25E2S1E	96 x 70 x 131
	25	12	0.5	16	16	13	120	22	13	SLP25E2V	SLP25E2S1V	96 x 70 x 131
1-1/4"	35	22	0.5	16	16	13	80	22	13	SLP32-350E2	---	131 x 96 x 146
	35	22	0.5	16	16	13	130	22	13	SLP32-350E2E	---	131 x 96 x 146
	35	22	0.5	16	16	13	120	22	13	SLP32-350E2V	---	131 x 96 x 146
1-1/2"	40	30	0.5	16	16	13	80	22	13	SLP40E2	SLP40E2S1	131 x 96 x 146
	40	30	0.5	16	16	13	130	22	13	SLP40E2E	SLP40E2S1E	131 x 96 x 146
	40	30	0.5	16	16	13	120	22	13	SLP40E2V	SLP40E2S1V	131 x 96 x 146
2"	50	48	0.5	16	16	13	80	22	13	SLP50E2	SLP50E2S1	165 x 120 x 167
	50	48	0.5	16	16	13	130	22	13	SLP50E2E	SLP50E2S1E	165 x 120 x 167
	50	48	0.5	16	16	13	120	22	13	SLP50E2V	SLP50E2S1V	165 x 120 x 167
Flange connection	25	12	0.5	16	16	13	80	22	13	-	SLPF25E2S1	134 x 110 x 160
	25	12	0.5	16	16	13	130	22	13	-	SLPF25E2S1E	134 x 110 x 160
	25	12	0.5	16	16	13	120	22	13	-	SLPF25E2S1V	134 x 110 x 160
Flange connection	35	22	0.5	16	16	13	80	22	13	-	SLPF32-350E2S1	160 x 135 x 175
	35	22	0.5	16	16	13	130	22	13	-	SLPF32-350E2S1E	160 x 135 x 175
	35	22	0.5	16	16	13	120	22	13	-	SLPF32-350E2S1V	160 x 135 x 175
Flange connection	40	30	0.5	16	16	13	80	22	13	-	SLPF40E2S1	160 x 145 x 180
	40	30	0.5	16	16	13	130	22	13	-	SLPF40E2S1E	160 x 145 x 180
	40	30	0.5	16	16	13	120	22	13	-	SLPF40E2S1V	160 x 145 x 180
Flange connection	50	48	0.5	16	16	13	80	22	13	-	SLPF50E2S1	200 x 160 x 207
	50	48	0.5	16	16	13	130	22	13	-	SLPF50E2S1E	200 x 160 x 207
	50	48	0.5	16	16	13	120	22	13	-	SLPF50E2S1V	200 x 160 x 207
Flange connection	65	52	0.5	12	12	8	80	33	20	-	SLPF65E2S1	250 x 185 x 250
	65	52	0.5	12	12	8	120	33	20	-	SLPF65E2S1E	250 x 185 x 250
	65	52	0.5	12	12	8	120	33	20	-	SLPF65E2S1V	250 x 185 x 250
Flange connection	80	80	0.5	12	12	8	80	33	20	-	SLPF80E2S1	270 x 202 x 262
	80	80	0.5	12	12	8	120	33	20	-	SLPF80E2S1E	270 x 202 x 262
	80	80	0.5	12	12	8	120	33	20	-	SLPF80E2S1V	270 x 202 x 262
Flange connection	100	128	0.5	12	12	8	80	33	20	-	SLPF100E2S1	342 x 222 x 287
	100	128	0.5	12	12	8	120	33	20	-	SLPF100E2S1E	342 x 222 x 287
	100	128	0.5	12	12	8	120	33	20	-	SLPF100E2S1V	342 x 222 x 287