

# EMCP Plastic Actuator Series Angle Valve



## EMCP

### Plastic Actuator Series Angle Valve



#### Product Features

- \* Normal close/Normal open plastic actuator angle valve, available body: SS304, SS316
- \* Multiple seals are available for different medium
- \* Wide size range from 3/8" to 2"
- \* Better cost performance

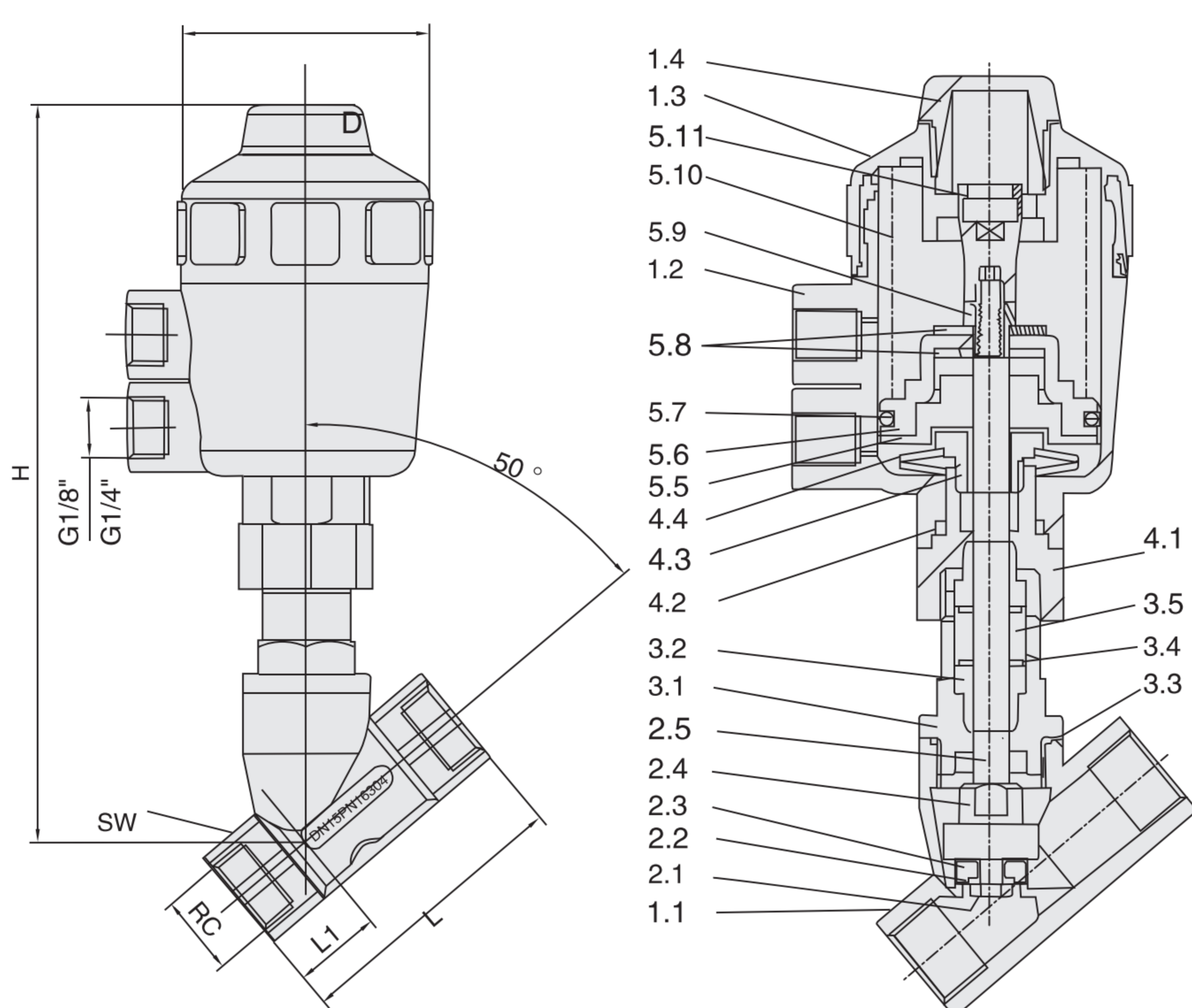
#### How to Order?

Series No.	Port Size	Actuator Size	Acting Type	Valve Body Material	Thread Type
EMCP : Plastic Actuator Angle Valve	10:3/8"	50: $\phi$ 50mm	Blank:N.C.Single Acting H:N.O. Single Acting D:Double acting, Free state DC: Double acting, N.C. (Note: The standard is no water-hammer type, the water-hammer type can be customized)	S1: SS316 S2: SS304	Blank: G P : PT T : NPT
	15:1/2"				
	20:3/4"				
	25:1"				
	32:1-1/4"				
	40:1-1/2"				
50:2"	80: $\phi$ 80mm				

#### Order Example:

EMCP series Plastic Actuator Angle Valve, 3/8 port size, 50mm actuator size, NC single acting, SS316 valve body, G thread, ERP code is: EMCP-10-50S1

#### Main Dimension



Main Dimension(mm)							
DN	Port size	L	L1	SW	H	D	Actuator size
10	3/8"	55	17	21	170	54	50
15	1/2"	70	21	26.5	185	63	50
20	3/4"	76	23	32	190	63	50
25	1"	90	25	40	200	63	50
32	1-1/4"	116	32	50	240	81	63
40	1-1/2"	116	32	55.5	280	96	80
50	2"	138	40	68.5	295	96	80

List of parts		
1.1 Body	3.1 Screw connector	5.5 Piston
1.2 Cylinder	3.2 V sealing	5.6 Flange
1.3 Cylinder head	3.3 Seal ring	5.7 Seal ring
1.4 Ornament cover	3.4 Gasket	5.8 Gasket
2.1 Bolt	3.5 Spring	5.9 Hexagon nut
2.2 Orifice plate seal	4.1 Connecting nut	5.10 Spring
2.3 Seal disc	4.2 Seal ring	5.11 Position indicator
2.4 Disc	4.3 Lock nut	
2.5 Stem	4.4 Leaf spring	

#### Specifications

Model	EMCP10-50	Model	EMCP10-50
Port size	DN10-DN50	Temperature of medium	PTFE: -10° - 180° FPM: -10° - 100°
Thread	G3/8"-G2"	Viscosity	max 600mm <sup>2</sup> /s
Body material	Stainless steel SS316/SS304	Installation	any position
Actuator material	Engineering plastic	Controlling medium	Natural gas
Seat seal	PTFE/FPM	Controlling pressure ( Bar )	3-8
Stem seal	PTFE/FPM	Working Pressure(Bar)	0-16
Piston seal	FPM/NBR		
Applicable medium	water, neutral gas or liquid, ethanol, oil, organic solvent, steam,		